

The failure to comply with the dimension stated is bound to imply the risk of malfunctioning of product and/or production

[3]

MEASURES COMPLEMENTARY INDICATIONS
The failure to comply with the dimension stated is bound to affect the proper functioning of the product and/or production

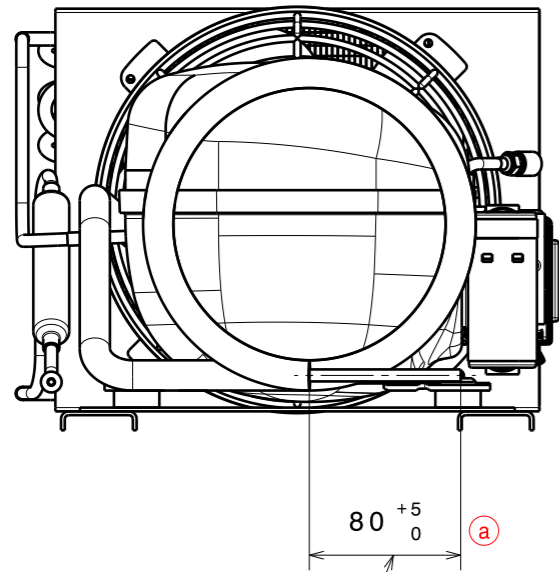
[2]

Safety limits dimensions

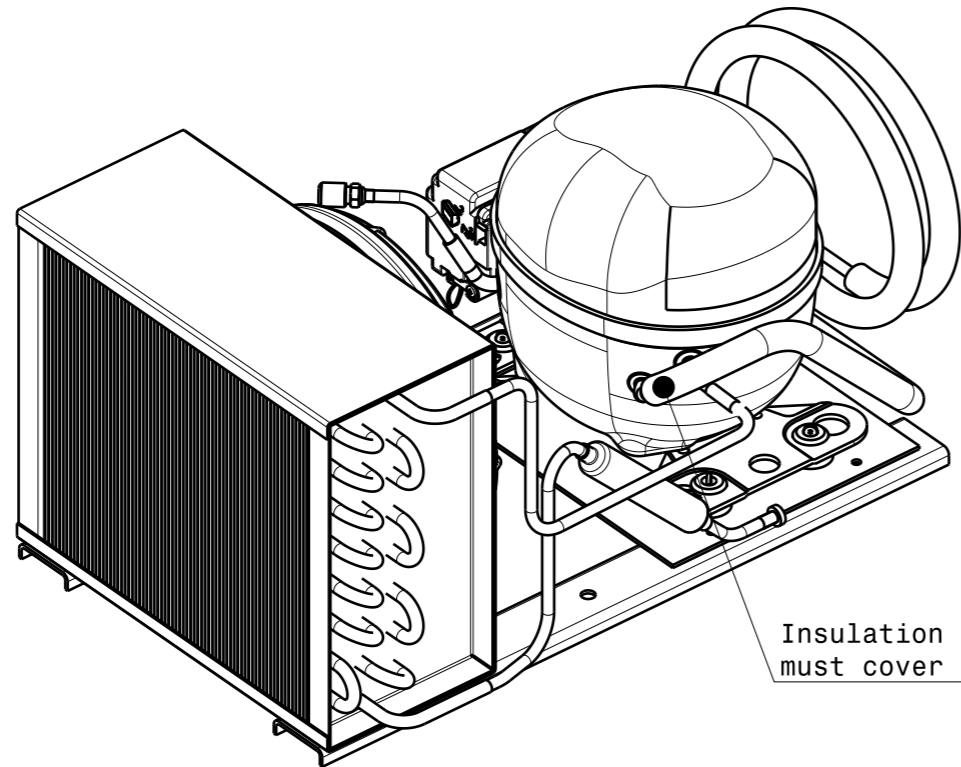
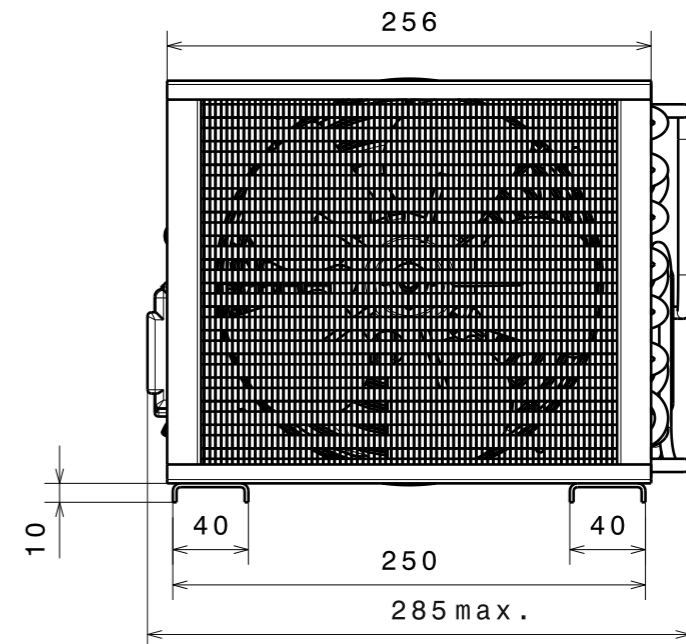
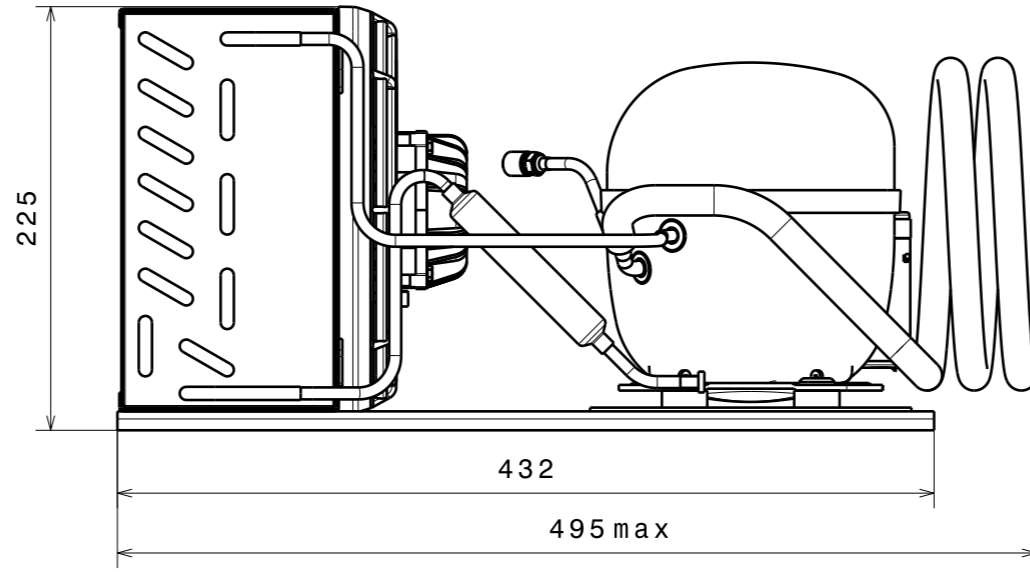


THE PRESENCE OF HARMFUL SUBSTANCES IN THIS COMPONENT IS FORBIDDEN WITHIN THE LIMITS LAID DOWN IN THE PM-01 SPECIFICATION.

The present drawing is property of HUAYI COMPRESSOR BARCELONA S.L and its reproduction and/or transmission without express authorization is forbidden

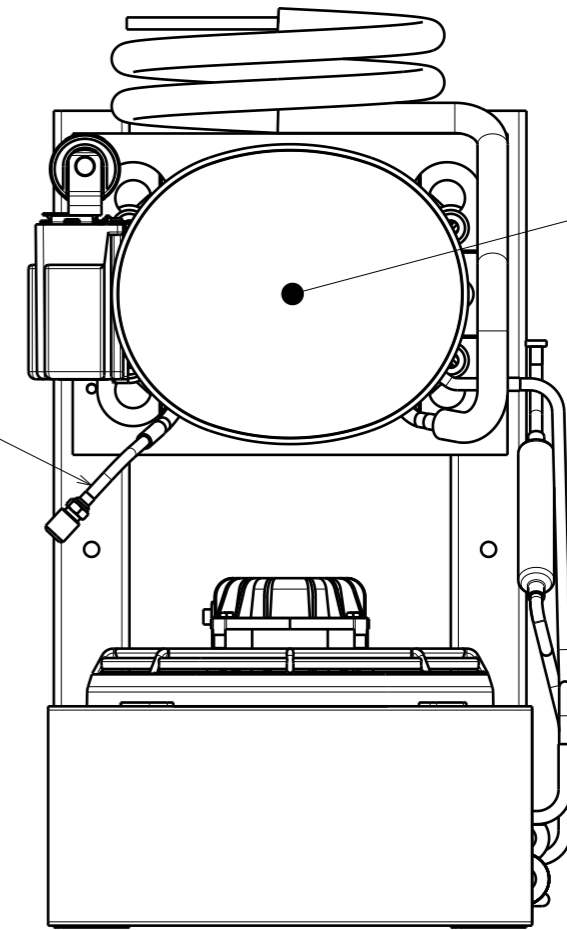


Insulation free space for soldering.



Insulation Coil must cover the tube. ^a

^a Tube bended in this position.



Compressor NUY45RAa

MODIFICATIONS		SCALE	GENERAL FINISH SURFACE:	GENERAL TOL.	HUAYI COMPRESSOR BARCELONA	
MOD Date SIGLAS	DESCRIPTION MODIFICATIONS	1:4	(Values in Ra μm)	Lenght: ±5 Angle: ±5°	R & D	
0 12.04.19 AMC	Se introduce.	MATERIAL/TREATMENT			SUST. A	
0 08.10.20 AMC	Se actualiza a comentarios del cliente.	DRAWN DATE SIGN			SUST. POR	
		CHECKED			U.C.	
		APPROVED			CODE: 601.586	
		NAME			DRAWING NUMBER	
CONDENSING UNIT					CUCA0041	
					MOD	a