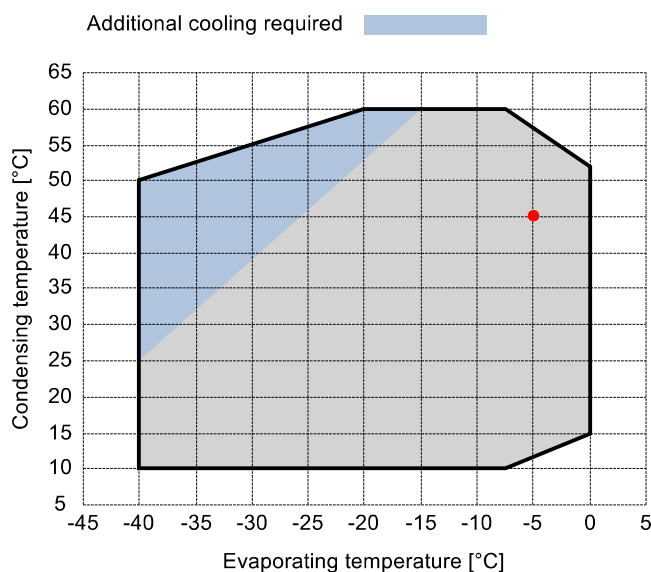


## Input data

Refrigerant	R449A	
Reference temperature	Dew point temperature	
Calculation mode	Refrigeration / Air Cond.	
Operating mode	Subcritical	
Power supply	400/3/50	

Condensing temperature	°C	45
Condensing pressure	bar	18.86
Liquid subcooling	K	2
Liquid temperature	°C	38.72
Evaporating temperature	°C	-5
Evaporating pressure	bar	4.33
Suction gas temperature	°C	20
Evaporator superheating	K	5



## Output data

<b>Compressor :</b>	<b>A07-6Y</b>	
Number of compressors :	FSx1	
Refrigerating capacity	kW	3.017
Refrigerating capacity [ *ref ]	kW	2.954
Evaporator capacity	kW	2.672
Power input	W	1250
Condenser capacity, theor.	kW	4.267
Current	A	2.35
COP/EER	W/W	2.14
Mass flow	kg/h	68
Operating frequency	Hz	50
Connection	-	DOL-STAR
Operating mode	-	100%
Discharge temperature	°C	105.3
Ratio (%)	%	100.0%
Note	-	
Oil flow	l/min	-
Heat Exchanged (oil Cooler)	kW	-
Oil Temp. at Oil Cooler Outlet	°C	-
Certified by	-	Frascold

### Certified by:

- Frascold tentative data

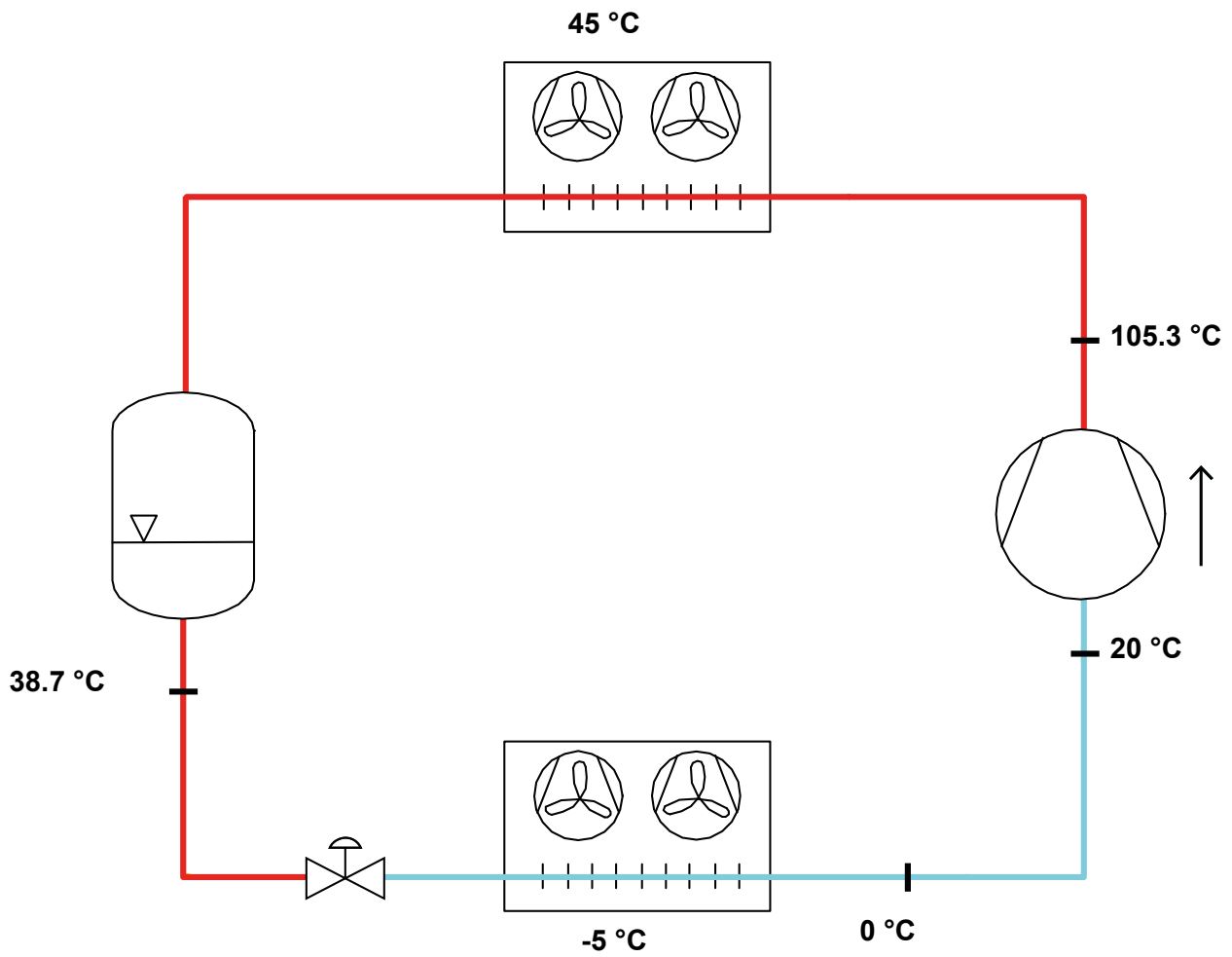


### Legend:

- \*ref: At conditions according to EN12900
- Suction gas temperature = 20 °C
- Liquid subcooling = 0 K

All data subject to change without notice

**P&I Diagram:**



**Model: A07-6Y**

Refrigerant: R449A

Power supply: 400/3/50 DOL-STAR

**Technical data:**

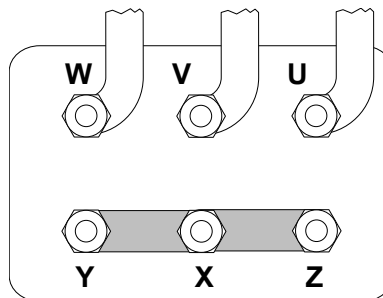
Displacement	5.47 m³/h
Nominal compressor speed	1450 rpm
Motor voltage	400 V
Nominal operating frequency	50 Hz
Maximum allowed operating current (MRA)	2.8 A
Locked rotor current (LRA)	10.7 A
Number of pistons	2
Net weight	36 kg
Lubricant	FRASCOLD POE32
Oil charge	1 l
Maximum static pressure LP	20.5 bar
Maximum operating pressure HP	30 bar

**Sound level:**

Sound power level -10/45°C R404A @50Hz	63.5 dB(A)
Sound pressure (*) - Distance: 1 m	55.5 dB(A)
Sound power level -35/40°C R404A @50Hz	63.8 dB(A)
Sound pressure (*) - Distance: 1 m	55.8 dB(A)

\*half sphere model

**Motor connections:**



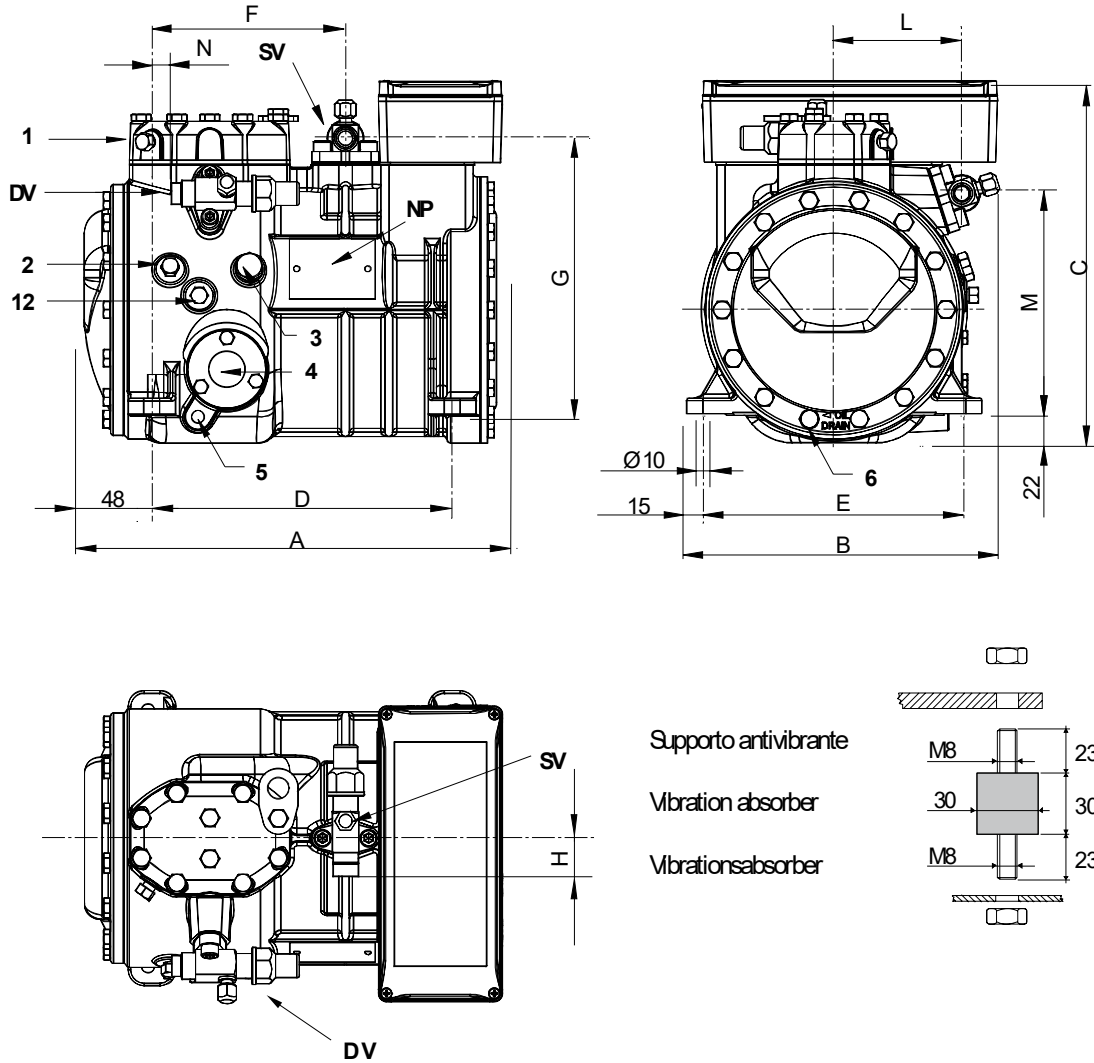
*All data subject to change without notice*

**Model: A07-6Y**

Refrigerant: R449A

Power supply: 400/3/50 DOL-STAR

**Dimensions:**



**Legend:**

SV: Suction Valve	5/8" in - 16 mm	M: Discharge valve	167 mm
DV: Discharge valve	1/2" in - 12.7 mm	N: Discharge valve	18 mm
A: Length	317 mm	1: High pressure connection	1/8" NPT
B: Width	237 mm	2: Low pressure connection	1/8" NPT
C: Height	275 mm	3: Oil charge plug	1/4" GAS
D: Base mounting	234 mm	4: Oil level sight glass	-
E: Base mounting	194 mm	5: Crankcase heater seat	-
F: Suction Valve	150 mm	6: Oil drain plug	M8 x 22
G: Suction Valve	209 mm	12: Oil return plug	1/8" NPT
H: Suction Valve	29 mm	NP: Nameplate	
L: Discharge valve	97 mm		

All data subject to change without notice

**Model: A07-6Y**

Refrigerant: R449A

Power supply: 400/3/50 DOL-STAR

**Polynomial coefficients according to EN12900 for A07-6Y:**

\*S = T<sub>evap</sub> ; D = T<sub>cond</sub>

Reference conditions

Refrigerant	R449A
Ambient temperature	35 °C
Suction gas temperature	20 °C
Liquid subcooling	0 K
Frequency	50 Hz

	Refrigerating capacity [W]	Power input [W]
<b>C1</b>	6.600280E+003	6.709110E+001
<b>C2</b>	2.733090E+002	-3.117610E+001
<b>C3</b>	-5.328780E+001	5.217650E+001
<b>C4</b>	3.820390E+000	-9.607620E-001
<b>C5</b>	-2.569070E+000	1.210790E+000
<b>C6</b>	-3.612250E-001	-7.666140E-001
<b>C7</b>	1.787890E-002	-6.332010E-003
<b>C8</b>	-2.898650E-002	1.136440E-002
<b>C9</b>	6.339910E-004	-3.402990E-003
<b>C10</b>	2.384030E-003	5.264620E-003

$$Y = C1 + C2*S + C3*D + C4*S^2 + C5*S*D + C6*D^2 + C7*S^3 + C8*D*S^2 + C9*S*D^2 + C10*D^3$$