

Assieme motoventilatore Fan motor assembly

	serie del compressore compressor series					
	A - B - C - D - F	Q	S	V	Z	W
assieme motoventilatore fan motor assembly	SZ-FM1	SZ-FM9	SZ-FM2S	SZ-FM2V	SZ-FM3	SZ-FM4
comprende: includes:						
Motoventilatore Fan motor	USAF6	USAF6	USAF15	USAF15	USAF15	USAF15
Staffa Bracket	S3621124	S4031124	S4951124	S4951124	S6501124	S8701124
Kit antivibranti Vibrations absorber kit	SK205100	SK205100	SK205100	SK205100	SK205100	SK205100
Viti Screws	-	M8x65	M8x80	M10x95	M10x95	M10x95

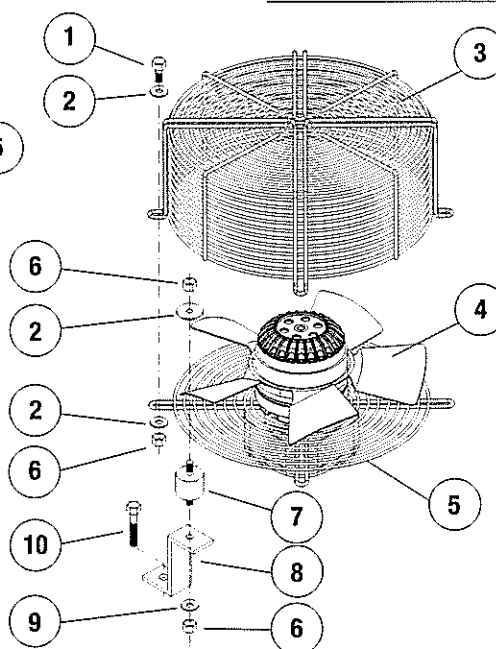
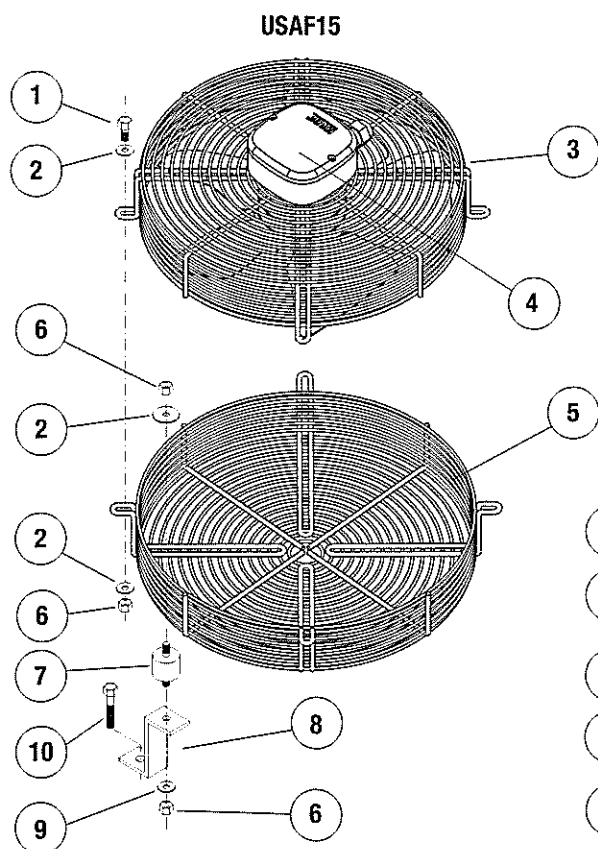
Caratteristiche dei motoventilatori Fan motor characteristics

			modello motoventilatore fan-motor model					
			USAF15			USAF6		
voltaggio voltage	V		230/3 Δ		400/3 人		230/1	
frequenza frequency	Hz		50	60	50	60	50	60
condensatore capacitor	μF		-		-		4	
potenza assorbita input power	W		100	120	100	120	115	155
corrente assorbita input current	A		0.41	0.38	0.24	0.22	0.51	0.68
diametro della ventola fan size	mm		312		312		250	
numero di giri speed	g/min		1360	1530	1360	1530	2550	2750
portata d'aria air flow	m³/h		1940	2175	1940	2175	1610	1740
massima temperatura ambiente maximum ambient temperature	°C		60	60	60	60	55	50

Schema di montaggio Mounting scheme

Legenda

Items



- | | |
|-------------------------|---------------------|
| 1 vite | screw |
| 2 rondella | washer |
| 3 griglia superiore | upper fan grid |
| 4 motoventilatore | motor fan |
| 5 griglia inferiore | lower fan grid |
| 6 dado | nut |
| 7 supporto antivibrante | vibrations absorber |
| 8 staffa | bracket |
| 9 rondella grover | grover washer |
| 10 vite testa cilindri | cylinder head screw |