

客户(CUSTOMER): _____

压缩机规格书

COMPRESSOR SPECIFICATION

型号(MODEL): QXAS-H72sN345

需方确认 (CUSTOMER CONFIRMATION)

审核 (CHECKED BY): _____

批准 (APPROVED BY): _____

空调器型号(AIR CONDITIONER MODEL): _____

供方确认 (SUPPLIER CONFIRMATION)

编制 (DESIGNED BY): 梁永达

审核 (CHECKED BY): 蓝榕江

标准化(STANDARDIZED BY): 余文彬

审定 (PROVED BY): 陈迪松

批准 (APPROVED BY): _____ /

珠海凌达压缩机有限公司

ZHUHAI LANDA COMPRESSOR CO., LTD.

目录

Contents

一、适用范围 Application Scope	1
二、规格特性 Specifications & Characteristics	2-4
1、压缩机规格 Compressor data	
2、电机规格 Motor data	
3、电器部品 Electrical component	
4、性能 Performance	
5、使用条件 Application condition	
6、容许应用范围 Limit of operating condition	
7、过载保护器特性 Overload protector characteristic	
三、注意事项 Cautions	5-6
四、附件及图纸 Accessories & Drawings	7-15
1、压缩机附件 Accessories	
2、压缩机相关图纸 Drawings	
附录 Attachments	

适用范围

➤ 适用范围 APPLICATION

此规格适用于 QXAS-H72sN345 全封闭式压缩机

This specification is applied to QXAS-H72sN345 rotary compressor.

用途 Application	房间空调器 (T1 工况) Room air-conditioner (T1 condition)
冷媒 Refrigerant	R410A
最大冷媒充注量 Refrigerant charge limit	4500g Max
电压(额定电压)/频率/相数 Voltage (Rated voltage)/Frequency/Phase	380-415V~(380V)/50Hz/3PHASE

规格特性

1. 压缩机规格 COMPRESSOR DATA

压缩机类型 Compressor type	全封闭型电动机压缩机 Hermetic motor compressor	
泵体类型 Pump type	旋转式 Rotary	
气缸数 The number of cylinders	双缸 double cylinder	
气缸名义工作容积 Cylinder nominal volume	72	cm ³
冷冻油牌号 Brand of refrigerant oil	Ze-GLES RB68EP /FVC 68D /FV 50S or equivalent	
冷冻油充注量 Refrigerant oil charge	1700	ml
重量(含冷冻油) Weight(Refrigerant oil included)	38.5	kg
吸气管内径 Suction pipe I.D.	Φ19.3±0.05	mm
排气管内径 Discharge pipe I.D.	Φ12.87±0.06	mm

2. 电机规格 MOTOR DATA

电机类型 Motor type	三相感应式电机(PSC) 3 Phase induction motor(PSC)
极数 Pole	2 poles
绕组电阻 Winding resistance	线电阻(Two-phase) 1.82±7% Ω
绝缘等级 Insulation class	B
堵转电流 (380V/50Hz) L.R.A.	85A
堵转时电机线圈温度 Motor winding temp. under locked-rotor condition	在 0.85 倍额定电压下堵转时电机主、副相绕组最 高温度不应超过 198.9℃ Max temp. of motor main/aux. windings shall not exceed 198.9℃ at 0.85 times of rated volt. when rotor is locked.

3. 电器部品 ELECTRICAL COMPONENT

名称 Name	规格 Specification
运行电容 Running capacitor	/
过载保护器 Overload protector	内置式过载 (UP18WA12R-220) Internal (UP18WA12R-220)

4. 性能 PERFORMANCE

➤ 额定性能 RATED PERFORMANCE

项目 Item	标准工况 ASHRAE condition	参考工况 Reference condition	单位 Unit
制冷量 (±5%) Capacity	19000	/	W
输入功率 (±5%) Input power	6080	/	W
能效比 C.O.P.	3.12	/	W/W
工作电流 (±5%) Working current	11.6	/	A
噪声 (声功率级) Noise(A weighted sound power)	≤78	/	dB(A)
振动 (压缩机本体切向加速度) Vibration(compressorTangential) acceleration	≤8	/	m/s ²

➤ 一般性能 GENERAL PERFORMANCE

最低启动电压 Minimum starting voltage	323V	
运行电压范围 Range of working voltage	标准工况 ASHRAE condition	323V-456V
	过负荷工况 Overload condition	342V-456V
压缩机开停次数 Compressor cycle	≥60000	次
气密性试验压力 Leak test pressure	4.2	MPa
残余水份含量 Residual moisture content	≤200	mg
杂质含量 Impurity content	≤120	mg

➤ 安全性能 SAFETY PERFORMANCE

电气强度 Electrical strength	1500V/min 或 1800V/s, 泄漏电流不大于 2mA 1500V/min or 1800V/s, leak current less than 2mA	
壳体耐压试验压力 Shell test pressure	> 15.0	MPa
绝缘电阻 Insulation resistance	> 30	M Ω
接地电阻 Grounding resistance	≤0.1	Ω

➤ 测试工况 TESTING CONDITION

测试工况 Testing condition	标准工况 ASHRAE condition	参考工况 Reference condition	
测试电源 Testing power supply	380V/50Hz	/	
蒸发温度 Evaporating Temp.	7.2℃	/	
冷凝温度 Condensing Temp.	54.4℃	/	
液体温度 Liquid Temp.	46.1℃	/	
吸气温度 Suction Temp.	35.0℃	/	
环境温度 Ambient Temp.	35.0℃	/	
测试风速 Testing air flow	1m/s	/	

5. 使用条件 APPLICATION CONDITION

蒸发温度范围 Evaporating Temp.	-15℃ ~ +15℃
冷凝温度范围 Condensing Temp.	27℃ ~ 67℃

6. 容许应用范围 LIMIT OF OPERATING CONDITION

项目 Item	标准条件 ASHRAE condition	过负荷条件 Overload condition	风扇堵转压力 Locked fan pressure
最大压缩比 Maximum compression ratio	6.5	11	/
排气压力 Discharge pressure Mpa {kgf/cm ² G}	3.4{35.0}以下 MAX	4.4{45.0}以下 MAX	5.3{54.0}以下 MAX
吸气压力 Suction pressure Mpa {kgf/cm ² G}	(0.60-1.30) /{6.0-13}	(0.50-1.30) /{5.0-13}	/
排气温度 Discharging Temp.	105℃ MAX	115℃ MAX	/
电机绕组温度 Motor winding Temp.	115℃ MAX	130℃ MAX	/

7. 过载保护器特性 OVERLOAD PRETECTOR PROPERTY

过载型号 (Overload protector model)	/	UP18WA12R-220
动作特性 Action characteristic	动作温度 Action temperature	180 °C±5 °C
	复位温度 Reset temperature	70 °C±10 °C
初动作特性 First action characteristic	电流 Current	51A
	动作时间 Action time	3~10S
过负荷特性 Overload characteristic	/	120 °C (15.2-20.6)A

注意事项

➤ 压缩机使用注意事项 PRECAUTIONS ON OPERATION

1. 压缩机内部已封入了干燥氮气，使用时应先拔掉高压侧(排气管)的橡胶塞，否则冷冻油会喷出压缩机。
Compressor is charged with dry nitrogen , remove high pressure side (discharge tube side) rubber plug first before application, otherwise refrigerant oil will gush from the compressor.
2. 不得有水溅入压缩机内。
The compressor should not be splashed with water inside.
3. 压缩机不得在空气中持续打开 15 分钟以上。
The compressor should not be left open in the atmosphere for more than 15 minutes.
4. 压缩机不得自身抽真空及空运转，系统抽真空应保证抽到绝对压力为 133Pa 以下。
The compressor should not be operated to form a vacuum and without load; the evacuation of the system shall ensure that absolute pressure is below 133Pa..
5. 当压缩机处于真空状态下，不应向密封接线柱上加电脉冲。
The electric pulse should not be applied to the hermetic terminals when the compressor is in vacuum condition.
6. 压缩机与配管，配管与配管之间的焊接应注意决不能让焊药、灰尘等杂质进入制冷系统。
Take care that the foreign matters like solder, dust etc will not get into the refrigerating system from soldering/welding joints between compressor and piping, as well as between piping.
7. 只使用规定的制冷剂 R410A,制冷剂应从制冷系统冷凝器的尾端注入，而不能直接注入压缩机，当制冷剂量超出规定值时，应同我公司联系。
Only R410A is permitted. Refrigerant should be charged from the end of the condenser of the refrigerating systems. Never charge refrigerant to the compressor directly. When the charge amount exceeds designated value, contact us.
8. 在压缩机稳定运行时，系统内温度不应低于-35℃，以防止油中蜡的成分沉淀。
Temperature within systems during stable compressor operation should not be less than -35℃ to prevent the wax in the oil from precipitation.
9. 压缩机起动运行前应确保接线正确，每两次起动应间隔 3 分钟以上，绝对禁止压缩机反向运转和在空气中运行。

Make sure that wiring is correct before starting the compressor, the duration between two start-ups shall exceed three minutes, it is forbidden to run compressor in reverse direction and in the air.

10. 在装配系统时应保证系统洁净，为防止毛细管等堵住，必须在制冷回路中装上过滤器。
Keep the system clean during assembly, the filter shall be assembled into the refrigerating loop to prevent block up of capillary tube etc.
11. 压缩机已装入了规定的适量冷冻油，使用时不得增加或减少。
Do not reduce or increase the refrigerant oil during application as the compressor has been charged with specified amount of oil.
12. 为保证制冷系统的油流回压缩机，在设计管路时气体的最小速度，水平管内为 4m/s，竖直管内为 7m/s。
To ensure the oil inside the refrigerating system returns to compressor, when designing the piping, the minimum gas velocity is 4m/s for horizontal pipe, and is 7m/s for vertical pipe.
13. 为了防止制冷剂液体积蓄在压缩机中，应保证压缩机壳体底部的温度大于冷凝温度。
To prevent the liquid refrigerant accumulation in the compressor, ensure that the temperature at bottom of compressor case is higher than the condensing temperature.
14. 运行频率必须在额定频率的±2%范围之内。
The running frequency shall be within ±2% of the rated frequency.
15. 压缩机在倾斜角 5°范围内可以正常运转。
The compressor will operate properly with tilting angle below 5°.
16. 禁止压缩机横放、倒置、跌落，不要把压缩机放置在露天，必须将压缩机存放在-10℃~+65℃的室内。
Do not put the compressor horizontally or put it upside down. Do not let the compressor fall off. Do not put the compressor in the open air, put the compressor indoor where the temperature range is between -10℃~+65℃.
17. 储液器温度应比蒸发器出口温度高。
The temperature of accumulator should be higher than that of evaporator outlet.
18. 压缩机含油率不高于 5%。
Compressor oil content is not to be higher than 5%.
19. 压缩机启动时，吸气压力应与排气压力相平衡。
The suction pressure shall be balanced with discharge pressure when compressor starts..

附件及图纸

1. 压缩机附件 ACCESSORIES

名称 Name	数量 Quantity	说明 Description
接线柱护盖 Terminal cover	1	已配备 Loaded
螺母 M5 Nut	1	已配备 Loaded
减振垫圈 Grommet	4	已配备 Loaded
绝缘垫 Gasket	1	已配备 Loaded

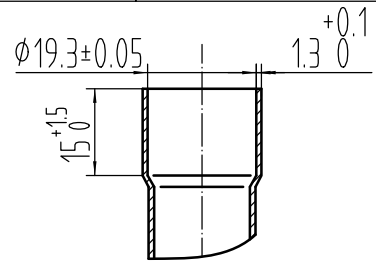
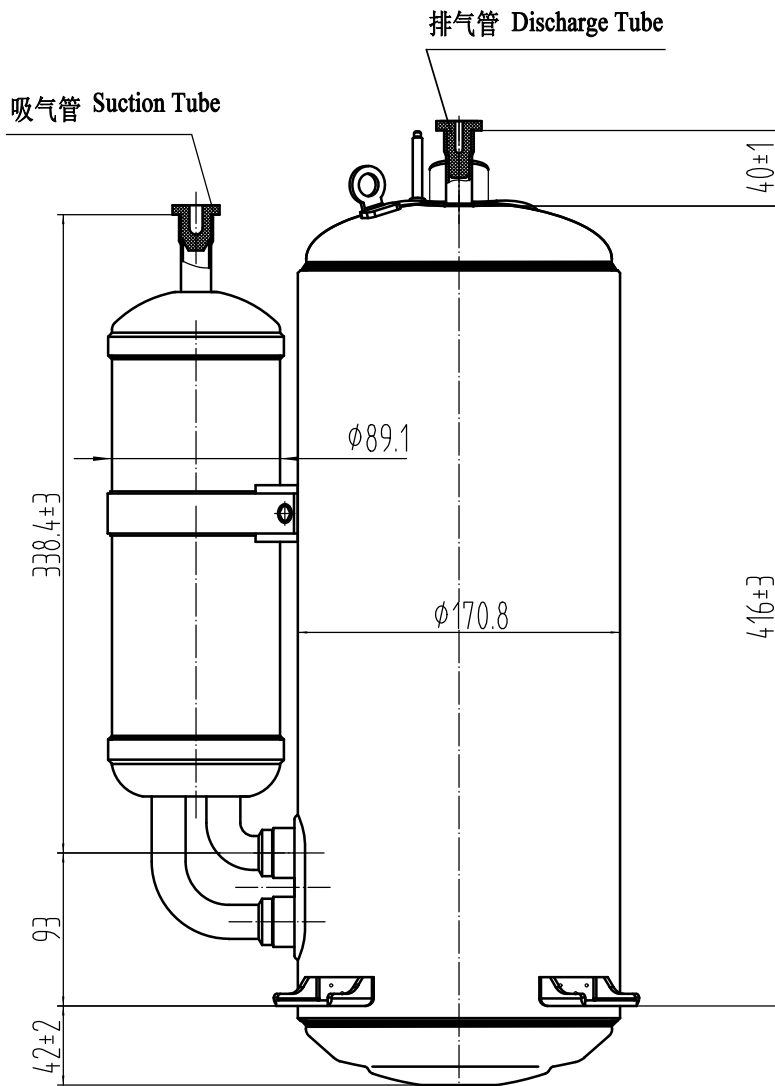
2. 压缩机相关图纸 DRAWINGS

名称 Name	代号 Symbol
外形尺寸图 Outside dimension	QXA-DW-01
性能曲线图 Performance diagram	QXA-DW-02
电气安装及底脚安装图 Wiring & mounting plate installation diagram	QXA-DW-03
铭牌 Name plate	QXA-DW-04
减振垫圈 Grommet	ZE8.639.629
接线柱护盖 Terminal cover	ZE7.852.006
绝缘垫 Gasket	ZE8.683.069
螺母 M5 Nut	GB/T6177.1

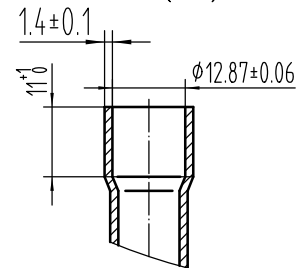
外形尺寸图
OUTSIDE DIMENSION
型号 (MODEL): QXAS-H72sN345

PAGE : 8/15

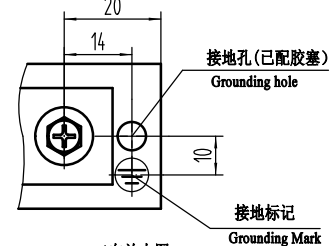
QXA-DW-01



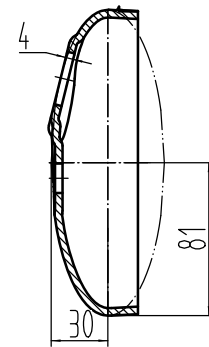
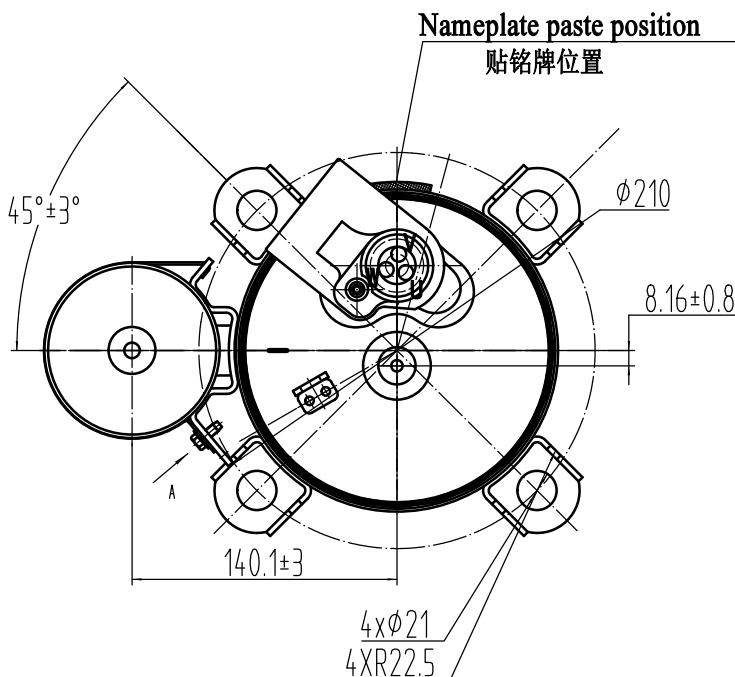
吸气管放大图
Suction Tube(Scaled)



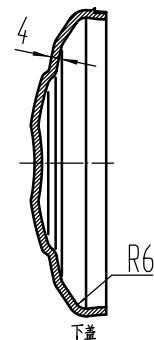
排气管放大图
Discharge Tube(Scaled)



A向放大图
A Orientation(scaled)



上盖
Upper Cover

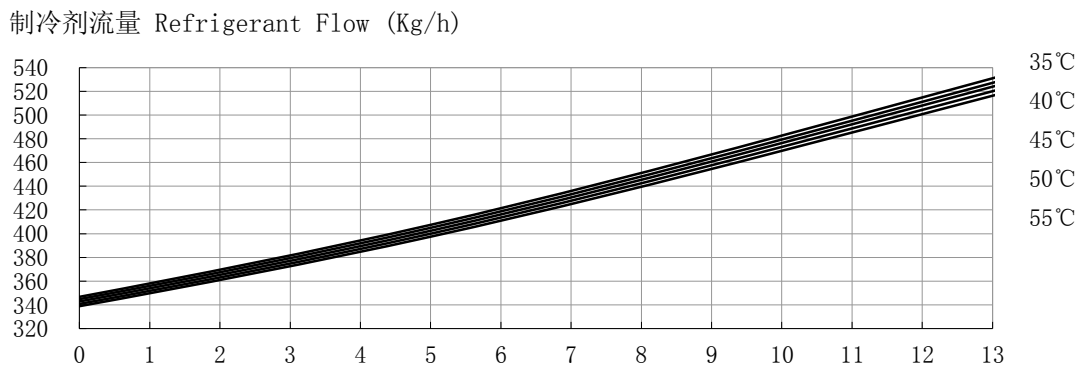
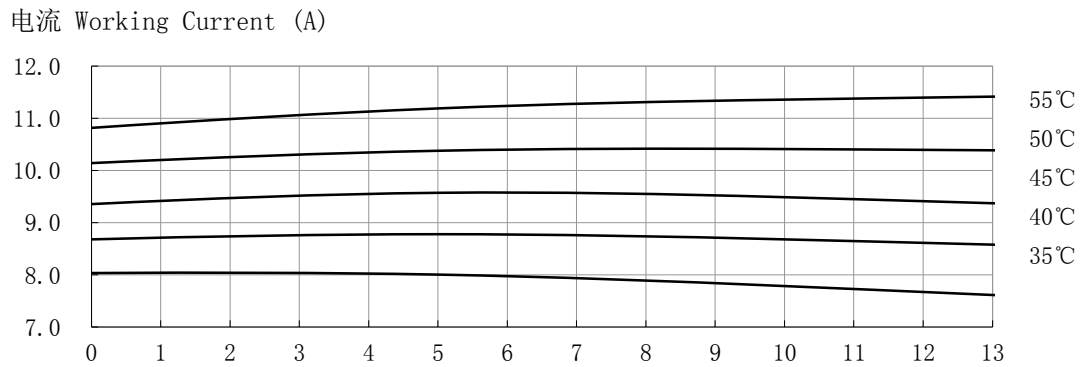
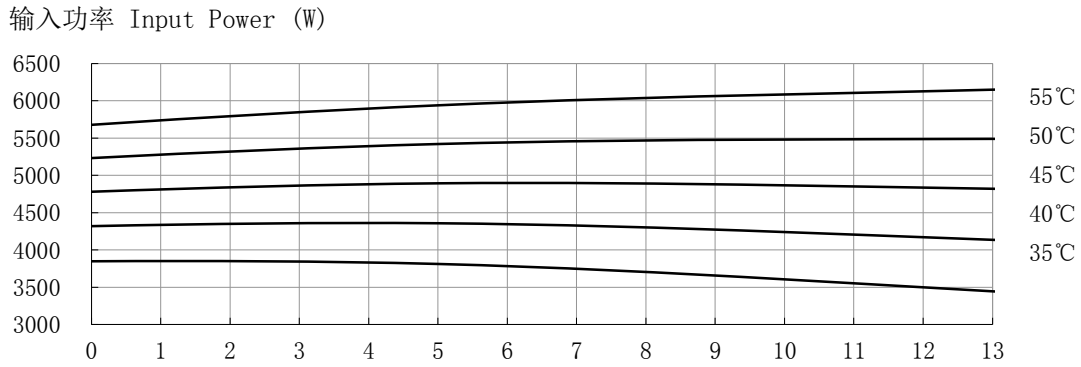
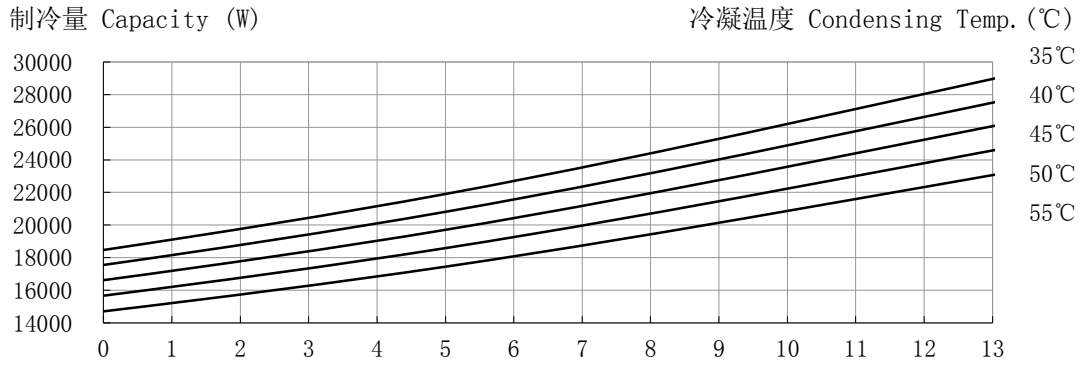


下盖
Lower Cover

性能曲线图
 PERFORMANCE DIAGRAM
 型号(MODEL): QXAS-H72sN345

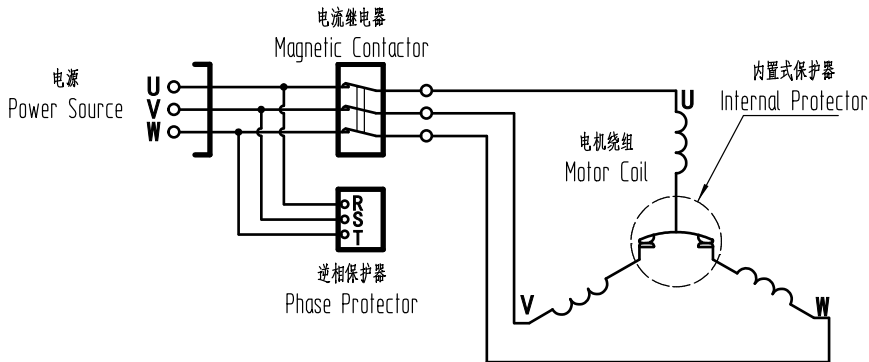
PAGE: 9/15

QXA-DW-02

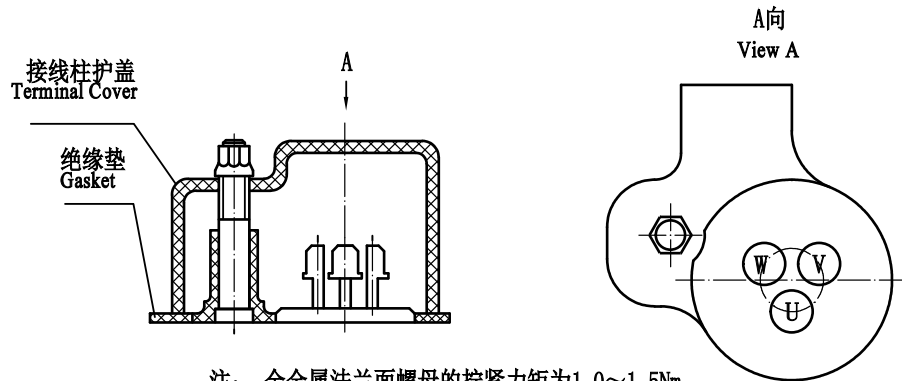


蒸发温度 Evaporating Temp. (°C)

电路图 Wiring Diagram

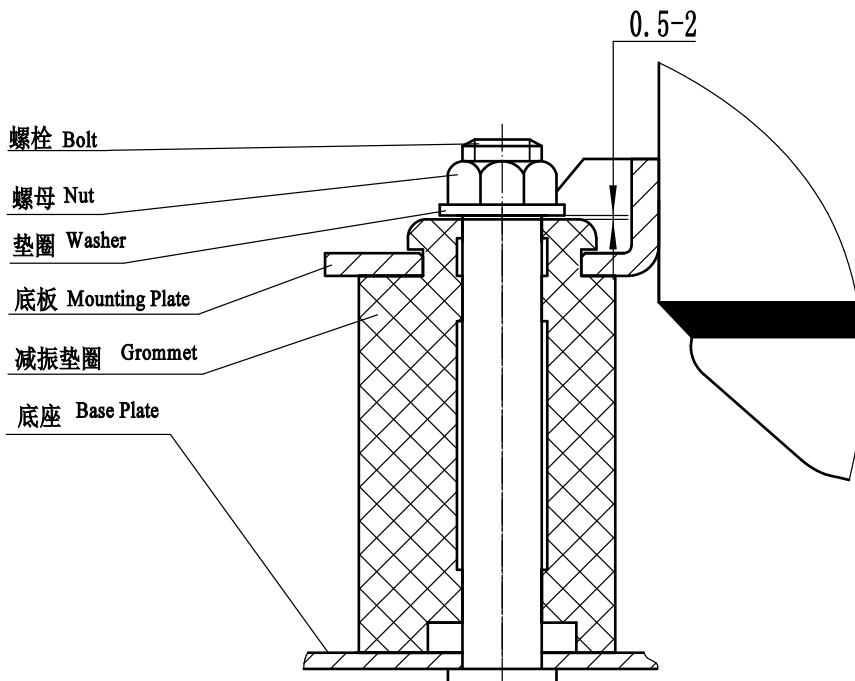


接线安装图 Electric Connecting Drawing



注: 全金属法兰面螺母的拧紧力矩为1.0~1.5Nm
 The tightening torque for the metallic flange nut is 1.0~1.5Nm

支脚安装图 Mounting Plate Installing

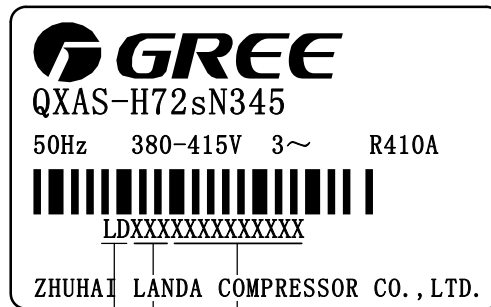


铭 牌
NAME PLATE

PAGE : 11/15

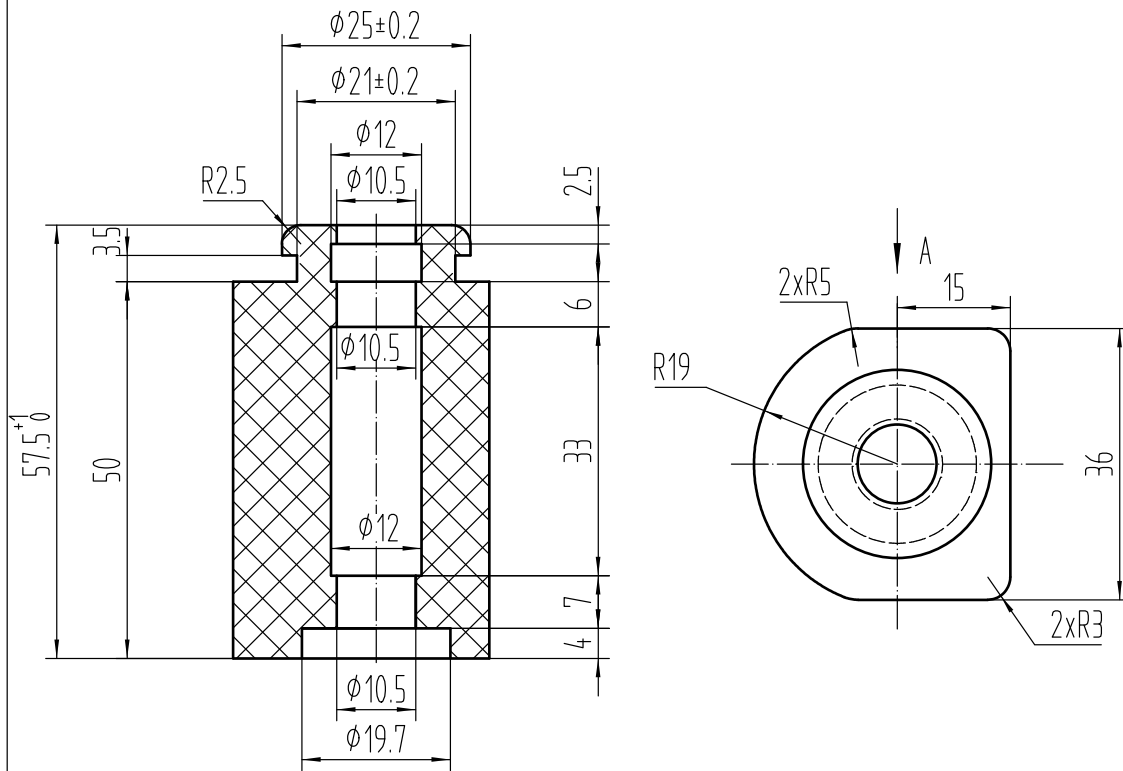
型号 (MODEL): QXAS-H72sN345

QXA-DW-04



厂家代码 质量跟踪编号
The code of manufacturer Quality tracking number

产品单元码
The code of product



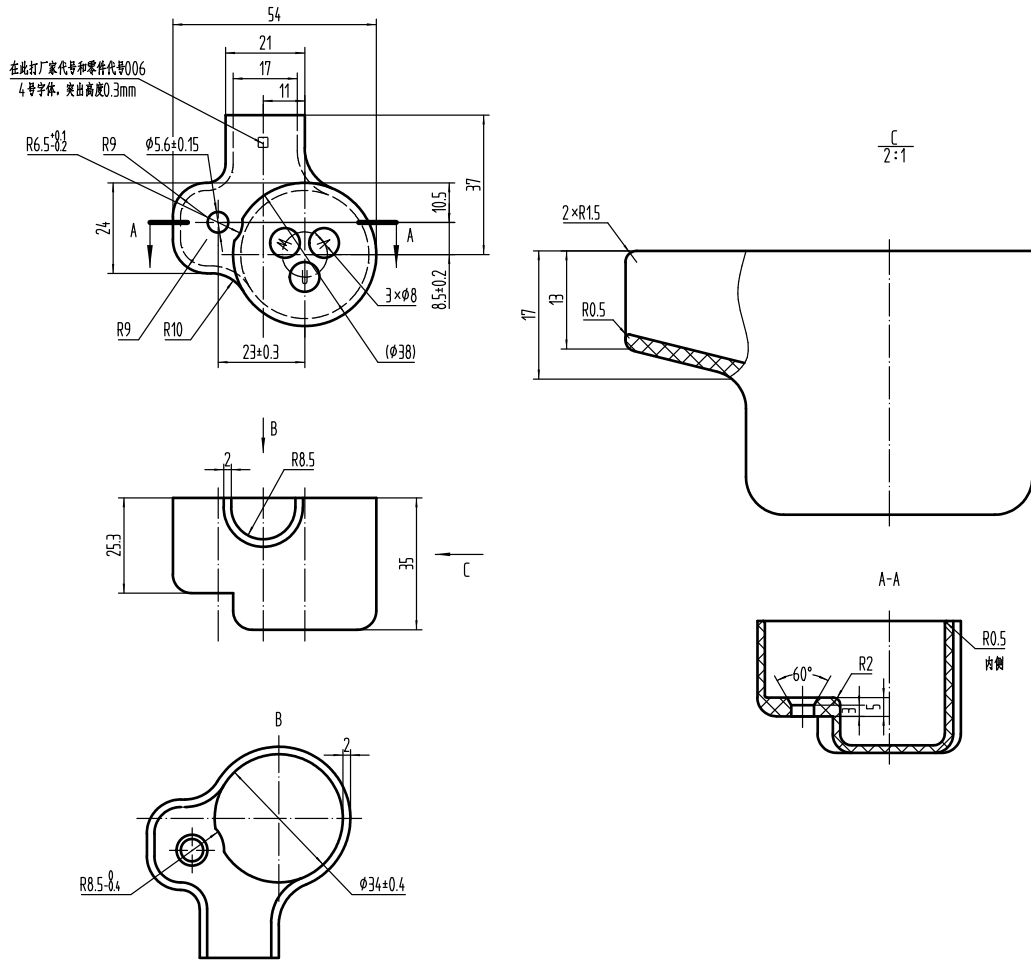
技术要求
Specifications

1. 零件颜色为黑色;
The part is black;
2. 零件所用材料:三元乙丙橡胶;
The material of part is EPDM;
3. 零件硬度为Hs63 \pm 4°.
The hardness of part is Hs63 \pm 4°.

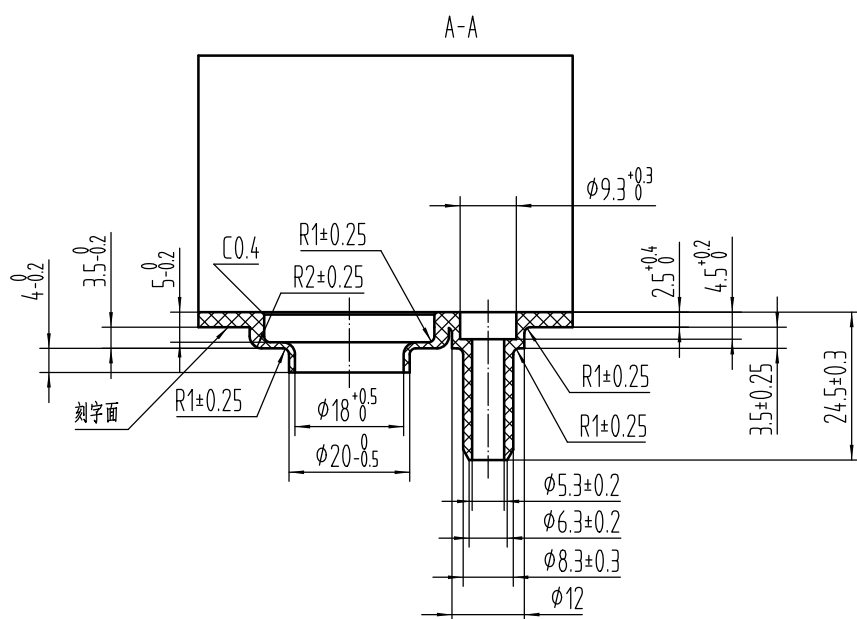
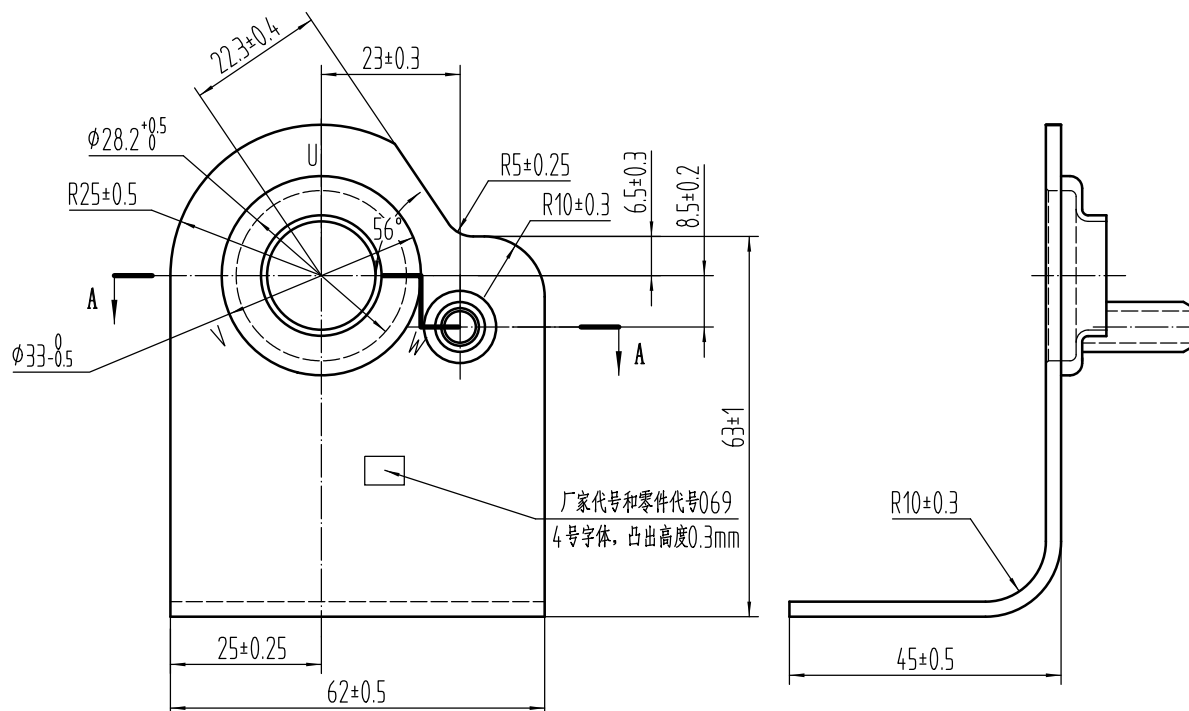
接线柱护盖 Terminal cover

ZE7. 852. 006

全部 ✓

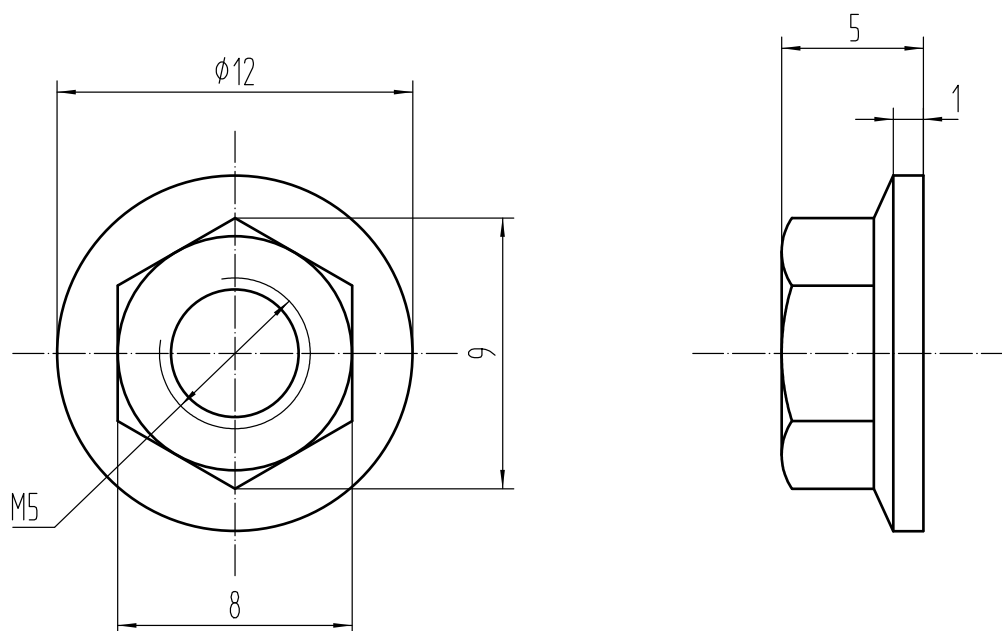
技术要求
Specifications

1. 零件表面应光滑、无毛刺;
Part surfaces shall be smooth without burrs.
2. 零件颜色为黑色;
The part is black;
3. 零件所用材料:PBT-G10或PA66或PBT FG430.
The material of part is PBT-G10 or PA66 or PBT FG430.



技术要求
Specifications

1. 零件颜色为黑色;
The part is black;
2. 零件所用材料: 阻燃硅胶;
The material of part is FRC;
3. 零件的硬度为Hs44 \pm 4°.
The hardness of part is Hs44 \pm 4°.



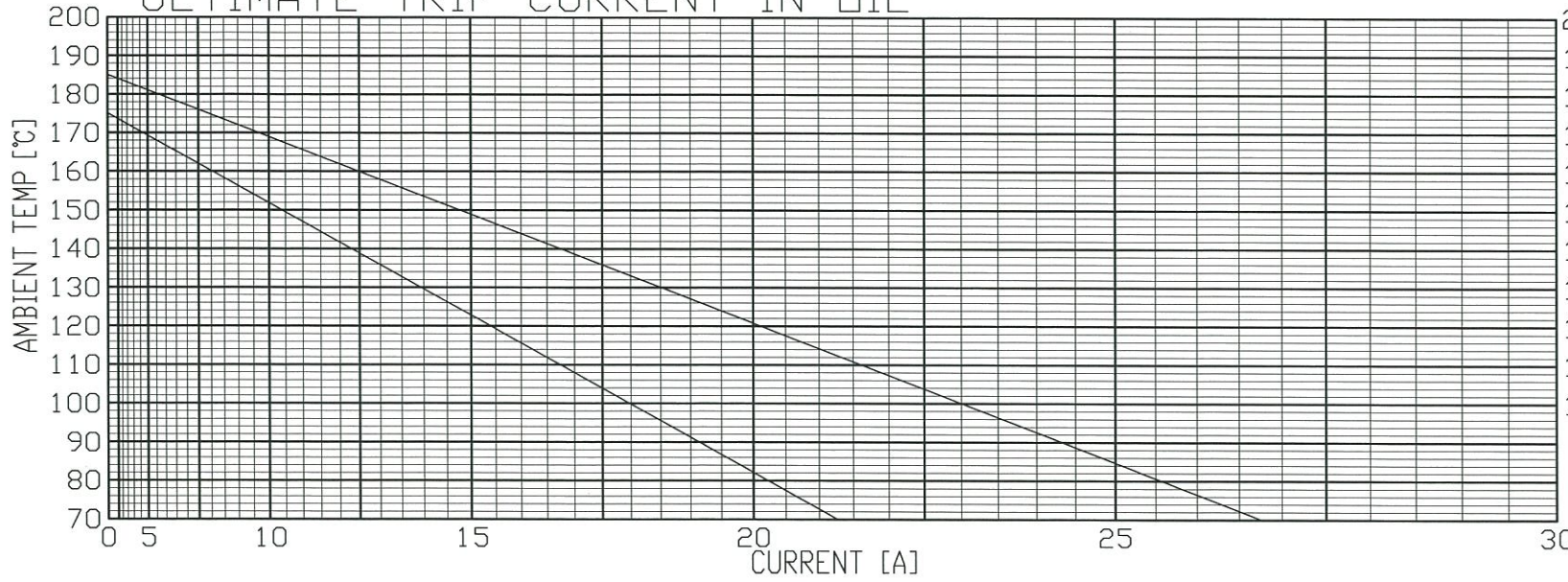
技术要求
Specifications

1. 零件符合GB/T6177.1;
The part must adapt to the GB/T6177.1;
2. 零件所用材料: 钢。
The material of part is STEEL.

機密文書につき第三者への
配布・複写等を禁ず。



ULTIMATE TRIP CURRENT IN OIL



TYPE

UP18WA12R-220



UBUKATA INDUSTRIES CO., LTD
PHONE 052-612-3333 FAX.052-612-3336

FIRST CYCLE TRIP TIME AT 25°C

