

Type: Semi-hermetic twin screw compressors

Producer: Frascold

Series: C-TSH

Model: C-TSH8-120 360 Y

Technical data

Nominal motor power [kW/HP]:	89 / 120
Displacement [m ³ /h]:	360
Capacity control [%]:	100 - 75 - 50
RPM [min ⁻¹]:	1740
Weight net [kg]:	490
Weight gross [kg]:	525
Oil charge [dm ³]:	19

Electrical data

	<u>PWS</u>
Power supply [V/~/Hz]:	400/3/50
Locked rotor current [A]:	647
Locked rotor current (D.O.L. - ΔΔ) [A]:	1112
Max. operating current [A]:	230
Max. power input [kW]:	138

Connections

	<u>millimeters</u>	<u>inches</u>
Suction line:	80	3 1/8
Discharge line:	67	2 5/8

R22

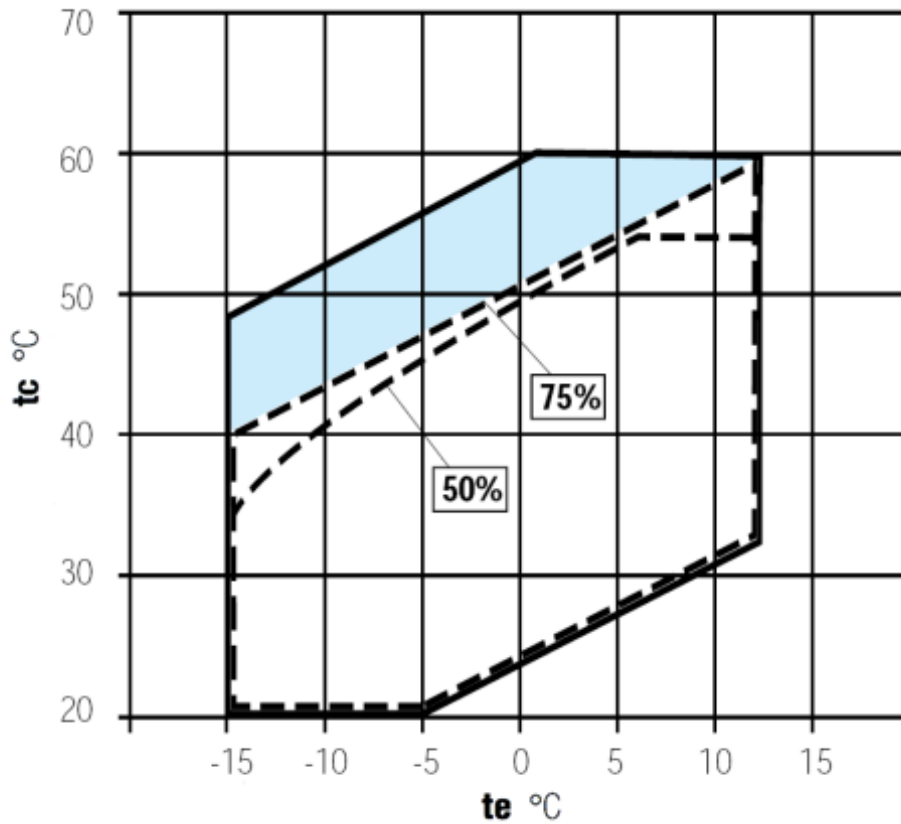
Cooling capacity [W]

$t_c \setminus t_e$	12.5	10	5	0	-5	-10	-15
30	-	-	378 470	317 880	264 920	218 850	178 690
40	436 140	401 650	338 840	283 670	235 460	193 480	157 060
50	385 990	354 930	298 400	248 810	205 520	167 860	-
55	359 400	330 360	277 440	230 900	190 190	-	-

Power input [W]

$t_c \setminus t_e$	12.5	10	5	0	-5	-10	-15
30	-	-	68.27	64.57	61.17	58.12	55.90
40	84.53	82.86	79.05	75.14	71.65	68.80	67.43
50	98.74	97.14	93.33	89.27	85.59	82.59	-
55	109.67	106.64	101.02	96.80	94.93	-	-

Application limits



With liquid injection or oil cooler

Operating conditions: suction gas overheating 10K, 0K subcooling
 tc - Condensing temperature [°C]
 te - Evaporating temperature [°C]

R407C

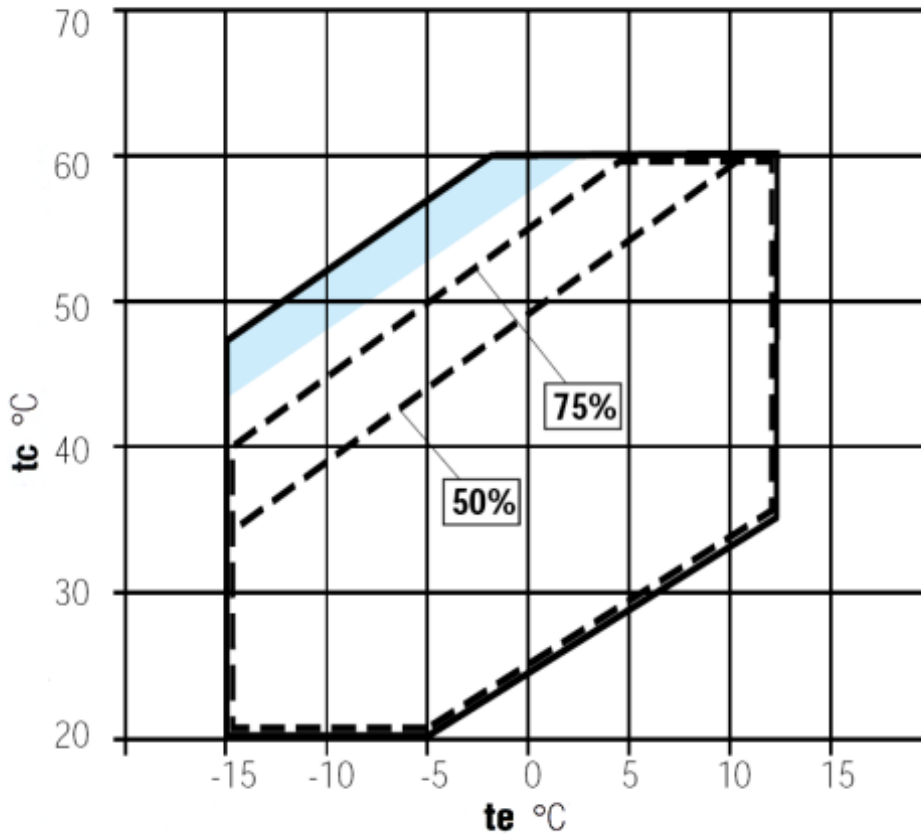
Cooling capacity [W]

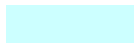
$t_c \setminus t_e$	12.5	10	5	0	-5	-10	-15
30	-	-	356 180	298 120	248 200	205 230	168 710
40	412 420	378 490	317 500	264 900	219 650	180 950	148 050
50	362 910	332 670	278 370	231 610	191 440	157 140	-
55	336 290	308 350	258 160	214 910	177 750	-	-

Power input [W]

$t_c \setminus t_e$	12.5	10	5	0	-5	-10	-15
30	-	-	64.26	61.03	58.09	55.64	54.30
40	81.65	80.08	76.50	72.53	68.74	65.44	63.17
50	94.92	93.32	89.82	86.15	82.93	80.60	-
55	104.23	101.89	97.39	93.39	90.68	-	-

Application limits

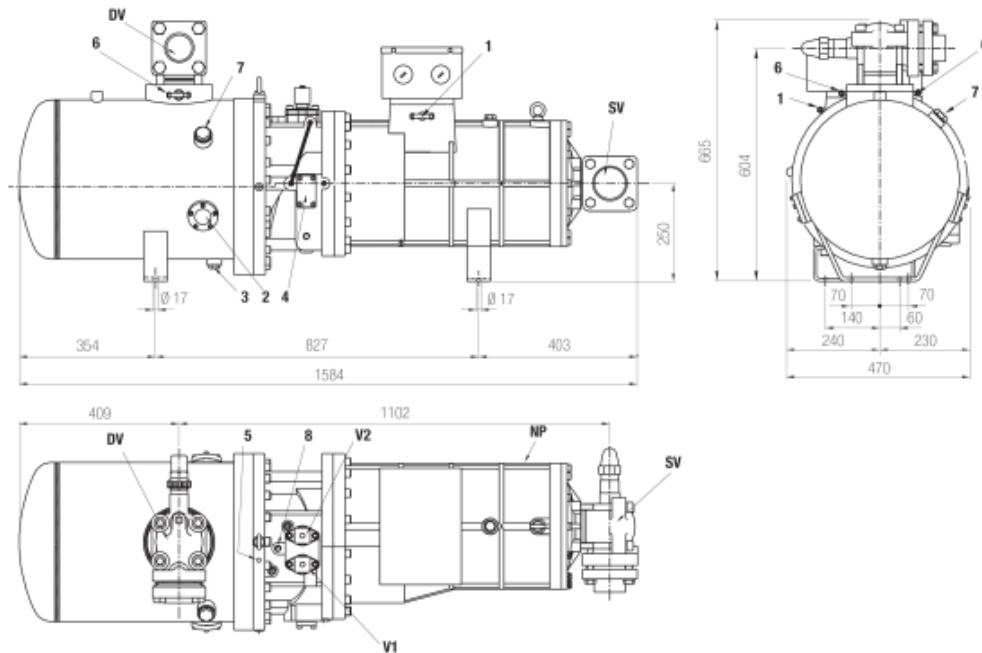


 With liquid injection or oil cooler

Operating conditions: suction gas overheating 10K, 0K subcooling

t_c - Condensing temperature [°C]

t_e - Evaporating temperature [°C]



- | | | | |
|-----|--|-----|-----------------------------------|
| 1: | low pressure connections | 2: | oil level sight glass |
| 3: | oil drain | 4: | connections for remote oil cooler |
| 5: | maximum discharge temperature sensor | 6: | capacity control valve |
| 6: | high pressure connections | 7: | oil charge plug |
| 8: | liquid injection/economizer connection | DV: | discharge valve |
| NP: | name plate | SV: | suction valve |
| V1: | capacity control valve 50% | V2: | capacity control valve 75% |

