

# Condensing Unit Technical Data Sheet

**Model** CMX23FBa\_N  
**Voltage** 220-240V 50Hz ~1  
**Refrigerant** R404A

## APPLICATION

Application	Low Back Pressure
Refrigerant	R404A
Evaporating Temp.	-40,0 °C to -10,0 °C
Expansion	Capillar/Valve
Comp. Cooling	Fan cooled
Max. ambient temp.	43,0 °C

## COMPRESSOR

Displacement	23,20 cm <sup>3</sup>
Diameter	34,93 mm
Stroke	24,20 mm
Oil type	ISO VG 32 ESTER
Oil charge	650 cm <sup>3</sup>

## MOTOR

Nominal Power	7/8 hp
Voltage/Frequency	220-240V 50Hz
Voltage range	187-255 V
Type	CSR
Phase number	1 PH
Locked Rotor Amps (LRA)	30,00 A
Max. Cont. Current (MCC)	6,70 A
Main W. resist. at 25°C	2,56 Ω
Start W. resist. at 25°C	6,50 Ω

## NOMINAL PERFORMANCE

Cooling Capacity	1.209 W
COP	1,49 W/W
EER	1,28 kCal/Wh
Input Power	813 W
Current	3,97 A

## ASHRAE

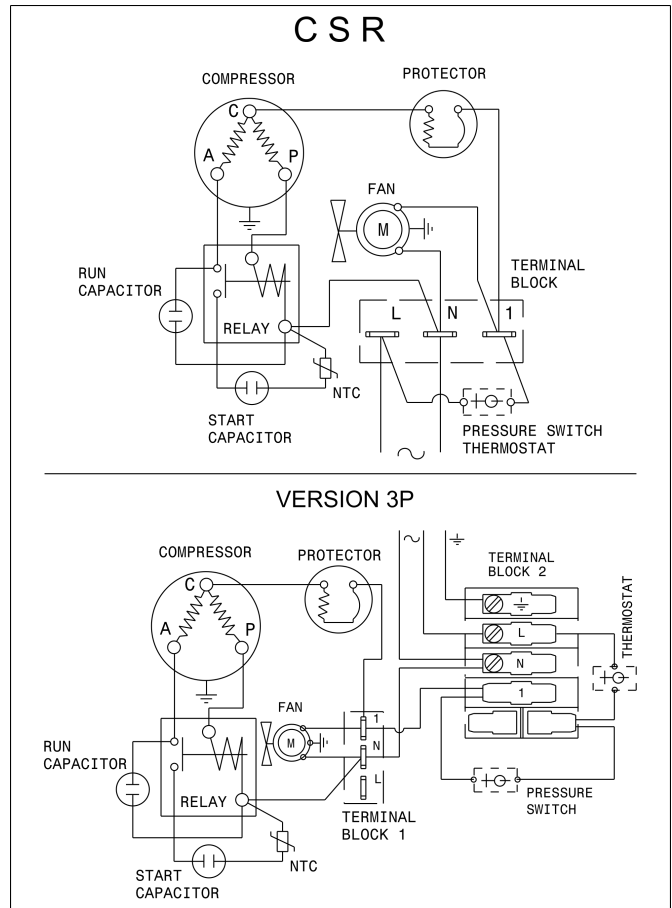
## TEST CYCLE CONDITIONS

	LBP
Evaporating temp. (T <sub>e</sub> )	-23,3 °C
Condensing temp. (T <sub>c</sub> )	55,0 °C
Liquid temp. (T <sub>liq.</sub> )	32,0 °C
Ambient temp. (T <sub>amb.</sub> )	32,0 °C
Suction temp. (T <sub>suction</sub> )	32,0 °C
Voltage/Frequency	220 V 50 Hz

## CONDENSER AND FAN DATA

Condenser type	CU-AL
Condenser model	12T 3R
Fan blade (Ø mm / °)	300 / 25
Fan motor	25W 220-240V 50/60Hz

## WIRING DIAGRAM



## REFRIGERATION CAPACITY (W) Evaporating Temperature (°C)

Model	Motor	-40	-35	-30	-25	-23.3			-10
						W	Winp	A	
CMX23FBa_N	CSR	667	880	973	1219	1209	813	3.97	1750

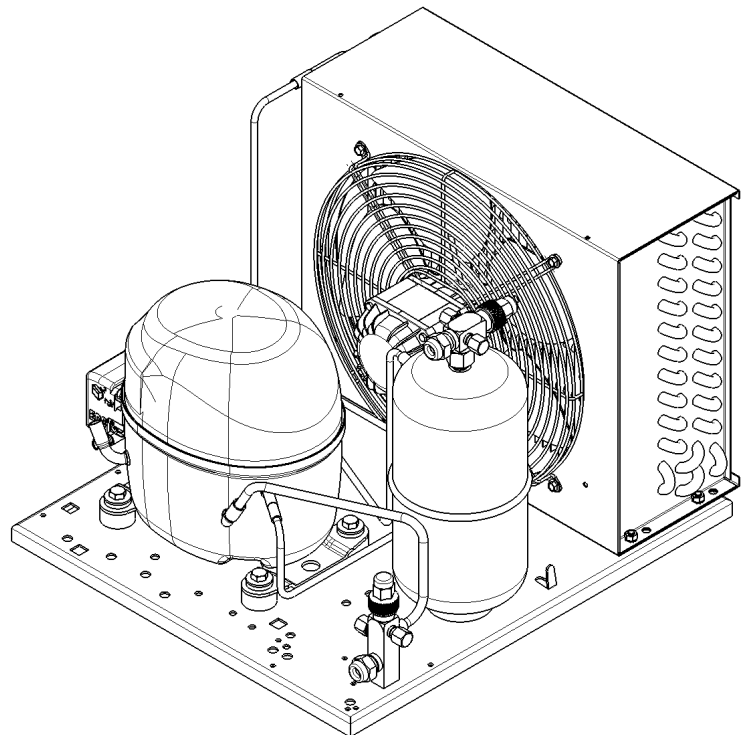
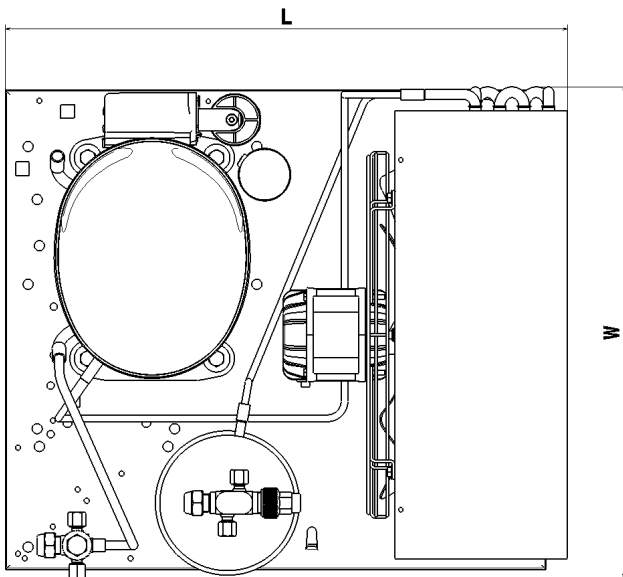
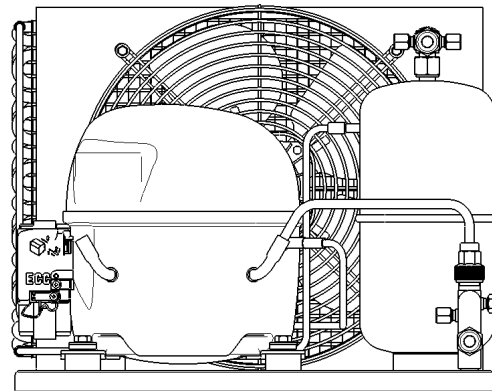
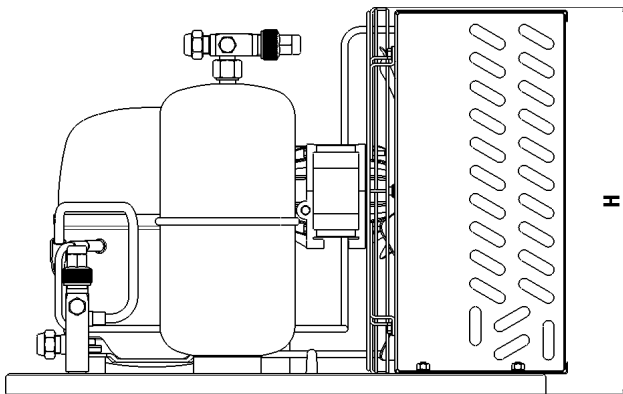
ASHRAE LBP: Condensing temperature: 55°C, Liquid temperature: 32°C, Suction temperature: 32°C, Ambient temperature: 32°C

# Condensing Unit Technical Data Sheet

## VERSIONS

VERSION 1	VERSION 2	VERSION 3	VERSION 3P	VERSION 4
<b>Tube</b>	<b>Service valve</b>	<b>Service valve and receiver</b>	<b>Service valve, receiver, pressure switch</b>	<b>Schrader valve on the service port</b>
Suction tube internal diam.: 9,7 mm Discharge tube internal diam.: 6,5 mm Net Weight: 31,3 Kg	Suction valve: 3/8" Discharge valve: 3/8" Net Weight: 31,2 Kg	Receiver vol.: 1,2 l Suction valve: 3/8" Discharge valve: 3/8" Net Weight: 33,0 Kg	Receiver vol.: 1,2 l Suction valve: 3/8" Discharge valve: 3/8" Net Weight: 34,1 Kg	Suction tube internal diam.: 9,7 mm Discharge tube internal diam.: 6,5 mm Net Weight: 30,8 Kg

## DIMENSIONS (Version 3 drawing)



VERSION 1-4 (WxLxH) (mm)	VERSION 2 (WxLxH) (mm)	VERSION 3 (WxLxH) (mm)	VERSION 3P (WxLxH) (mm)
435x460x342	435x480x342	435x480x342	435x500x342