

Technical Data Sheet

Compressor model **MS34T3_T**
 Voltage **400/440V 50/60Hz ~3**
 Refrigerant **R404A**

APPLICATION

COMPRESSOR

MOTOR

Application	High-Medium Back Pressure	Displacement	34,42 cm ³	Nominal Power	1 5/8 hp
Refrigerant	R404A	Diameter	42,86 mm	Voltage/Frequency	440V 60Hz
Evaporating Temp.	-25,0 °C to 10,0 °C	Stroke	23,85 mm	Voltage range	374-484 V
Expansion	Capillar/Valve	Net Weight	22,35 Kg	Type	3PHASE
Comp. Cooling	Fan cooled	Oil type	ISO VG 46 ESTER	Phase number	3 PH
Max. ambient temp.	43,0 °C	Oil charge	700 cm ³	Locked Rotor Amps (LRA)	21,50 A
				Max. Cont. Current (MCC)	6,40 A
				Main W. resist. at 25°C	7,40 Ω
				Start W. resist. at 25°C	10,10 Ω

NOMINAL PERFORMANCE

APPROVALS

	ASHRAE	CECOMAF
Cooling Capacity	5.320 kCal/h	4.916 W
COP	2,10 W/W	1,71 W/W
EER	1,81 kCal/Wh	1,48 kCal/Wh
Input Power	2.945 W	2.873 W
Current	4,70 A	4,58 A

TEST CYCLE CONDITIONS

	ASHRAE HMBP (D)	CECOMAF HMBP (C)
Evaporating temp. (T _e)	7,2 °C	5,0 °C
Condensing temp. (T _c)	55,0 °C	55,0 °C
Liquid temp. (T _{liq.})	46,0 °C	55,0 °C
Ambient temp. (T _{amb.})	35,0 °C	32,0 °C
Suction temp. (T _{suction})	35,0 °C	32,0 °C
Voltage/Frequency	440 V 60 Hz	440 V 60 Hz

ELECTRICAL COMPONENTS

Relay				
Reference				
Voltage				
Resistance				
Protector				
Reference				
Current				
Time check				
Disc temp. (Open/Close)				

ASHRAE

Tc °C	Te °C	Cooling Capacity kCal/h	Consumption W	Current A	COP W/W	EER kCal/Wh
40	-25	1.335	1.003	2,30	1,55	1,33
40	-20	2.001	1.290	2,54	1,80	1,55
40	-15	2.734	1.562	2,82	2,04	1,75
40	-10	3.533	1.820	3,10	2,26	1,94
40	-5	4.399	2.062	3,40	2,48	2,13
40	0	5.331	2.290	3,70	2,71	2,33
40	5	6.329	2.503	4,01	2,94	2,53
40	7,2	6.790	2.593	4,14	3,05	2,62
40	10	7.395	2.702	4,31	3,18	2,74

45	-25	1.280	1.100	2,38	1,35	1,16
45	-20	1.879	1.390	2,64	1,57	1,35
45	-15	2.544	1.666	2,93	1,78	1,53
45	-10	3.275	1.926	3,23	1,98	1,70
45	-5	4.073	2.172	3,54	2,18	1,88
45	0	4.938	2.403	3,86	2,39	2,05
45	5	5.869	2.620	4,18	2,61	2,24
45	7,2	6.300	2.710	4,32	2,70	2,32
45	10	6.867	2.821	4,50	2,83	2,43

50	-25	1.225	1.198	2,46	1,19	1,02
50	-20	1.756	1.491	2,74	1,37	1,18
50	-15	2.354	1.769	3,04	1,55	1,33
50	-10	3.018	2.033	3,36	1,73	1,48
50	-5	3.748	2.282	3,69	1,91	1,64
50	0	4.545	2.516	4,03	2,10	1,81
50	5	5.409	2.736	4,36	2,30	1,98
50	7,2	5.810	2.828	4,51	2,39	2,05
50	10	6.339	2.940	4,69	2,51	2,16

55	-25	1.170	1.295	2,55	1,05	0,90
55	-20	1.633	1.591	2,85	1,19	1,03
55	-15	2.163	1.873	3,17	1,34	1,16
55	-10	2.760	2.140	3,50	1,50	1,29
55	-5	3.423	2.392	3,84	1,66	1,43
55	0	4.153	2.629	4,20	1,84	1,58
55	5	4.949	2.852	4,55	2,02	1,74
55	7,2	5.320	2.945	4,70	2,10	1,81
55	10	5.811	3.059	4,89	2,21	1,90

60	-25	1.115	1.393	2,64	0,93	0,80
60	-20	1.511	1.692	2,96	1,04	0,89
60	-15	1.973	1.977	3,29	1,16	1,00
60	-10	2.502	2.247	3,64	1,30	1,11
60	-5	3.098	2.502	4,00	1,44	1,24
60	0	3.760	2.742	4,37	1,59	1,37
60	5	4.488	2.968	4,74	1,76	1,51
60	7,2	4.830	3.063	4,90	1,83	1,58
60	10	5.283	3.179	5,10	1,93	1,66

CECOMAF

Tc °C	Te °C	Cooling Capacity W	Consumption W	Current A	COP W/W	EER kCal/Wh
40	-25	1.402	1.008	2,30	1,39	1,20
40	-20	2.112	1.297	2,55	1,63	1,41
40	-15	2.885	1.571	2,83	1,84	1,59
40	-10	3.723	1.831	3,12	2,03	1,76
40	-5	4.624	2.076	3,42	2,23	1,92
40	0	5.590	2.306	3,72	2,42	2,09
40	5	6.619	2.522	4,03	2,62	2,27
40	7,2	7.092	2.612	4,17	2,71	2,35
40	10	7.712	2.723	4,34	2,83	2,45

45	-25	1.325	1.106	2,38	1,20	1,04
45	-20	1.953	1.398	2,65	1,40	1,21
45	-15	2.645	1.676	2,94	1,58	1,36
45	-10	3.401	1.938	3,24	1,75	1,52
45	-5	4.220	2.187	3,56	1,93	1,67
45	0	5.104	2.420	3,88	2,11	1,82
45	5	6.051	2.639	4,21	2,29	1,98
45	7,2	6.489	2.731	4,35	2,38	2,05
45	10	7.063	2.843	4,53	2,48	2,15

50	-25	1.249	1.204	2,47	1,04	0,90
50	-20	1.795	1.499	2,75	1,20	1,03
50	-15	2.405	1.780	3,06	1,35	1,17
50	-10	3.079	2.046	3,38	1,50	1,30
50	-5	3.816	2.297	3,71	1,66	1,44
50	0	4.618	2.534	4,05	1,82	1,57
50	5	5.484	2.756	4,39	1,99	1,72
50	7,2	5.885	2.849	4,54	2,07	1,78
50	10	6.414	2.964	4,73	2,16	1,87

55	-25	1.172	1.302	2,56	0,90	0,78
55	-20	1.636	1.601	2,86	1,02	0,88
55	-15	2.164	1.884	3,18	1,15	0,99
55	-10	2.756	2.153	3,52	1,28	1,11
55	-5	3.412	2.408	3,87	1,42	1,22
55	0	4.132	2.648	4,22	1,56	1,35
55	5	4.916	2.873	4,58	1,71	1,48
55	7,2	5.282	2.968	4,74	1,78	1,54
55	10	5.764	3.084	4,94	1,87	1,61

60	-25	1.095	1.400	2,65	0,78	0,68
60	-20	1.478	1.702	2,97	0,87	0,75
60	-15	1.924	1.989	3,31	0,97	0,84
60	-10	2.434	2.261	3,66	1,08	0,93
60	-5	3.009	2.519	4,03	1,19	1,03
60	0	3.647	2.762	4,40	1,32	1,14
60	5	4.349	2.990	4,78	1,45	1,26
60	7,2	4.678	3.086	4,94	1,52	1,31
60	10	5.115	3.204	5,15	1,60	1,38

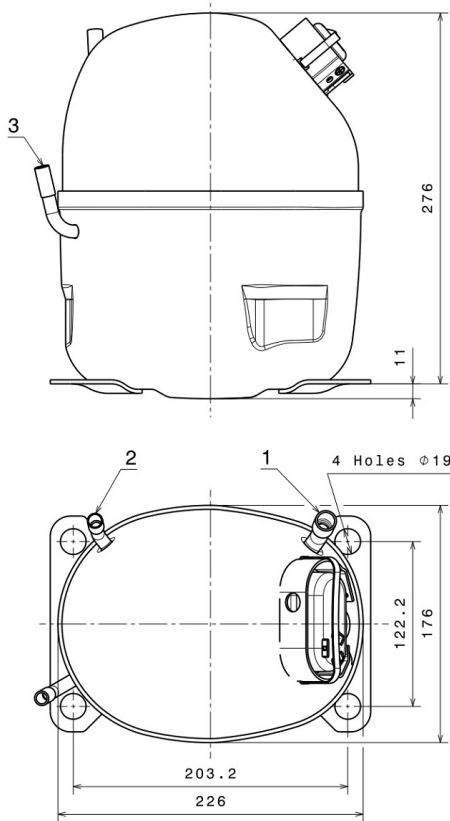
EN12900

X	Cooling Capacity (W)	Consumption (W)	Current (A)	Mass Flow (kg/h)
1	9,492,2728511672	1,436,8632708913	2,3679886192	183,30919854502
2	329,4578194266	41,5867179633	0,0386308529	7,5234489507309
3	-101,3064245931	23,5062411308	0,0358457457	-0,71028995933366
4	1,2091440684	-0,2689408627	0,0002882705	0,060840183177724
5	-3,3986728236	0,1370870365	0,0007036770	-0,032053849826285

Equation	$x_1 + x_2Te + x_3Tc + x_4Te^2 + x_5TeTc$
----------	---

Technical Data Sheet

COMPRESSOR DIMENSIONS

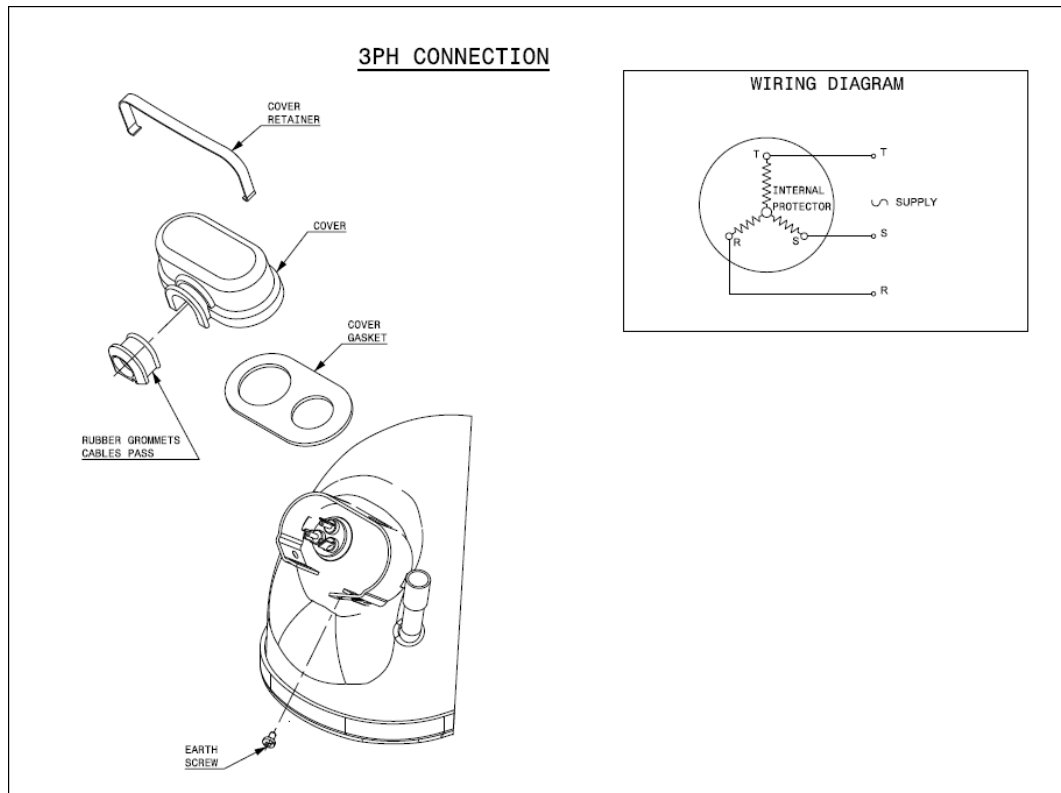


DESIGNATION INTERNAL DIAM.

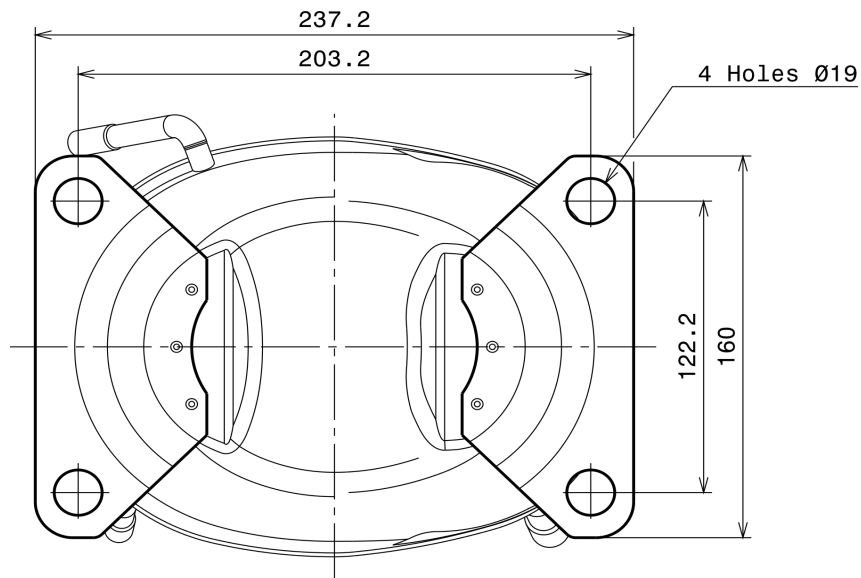
1	Suction	12,7 mm
2	Service	9,7 mm
3	Discharge	8,0 mm

WIRING DIAGRAMS AND ELECTRICAL ASSEMBLY

3PH CONNECTION (NS Range)



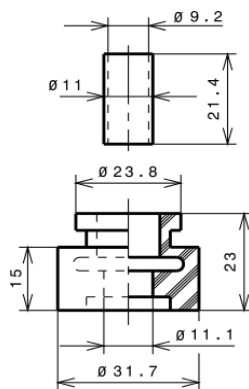
FIXINGS



SILENT BLOCKS (MOUNTING ACCESSORIES)

STANDARD

Ø19 holes (203.2x122.2 net)



SOA

SOA R404A HMBP

