

DATI tecnici
technical DATA

PTN075U



TN-U

MEDIA temperatura
MEDIUM temperature

Temperatura cella • Cold room temperature



+5 ÷ -5°C

Tipo di sbrinamento **A gas caldo** • Defrost type **By hot gas**

DATI TECNICI UNITA' • TECHNICAL DATA UNIT

	Forma Form	Tensione Voltage	Massimo assorb. elettrico in marcia Max. elec. absorp. in running condition kW	Tipo compressore Compressor type	Volume spostato Displacement		Assorbimento in sbrinamento Absorption during defrost kW	Quantità refrigerante Refrigerant quantity kg
		V/ph/Hz			m³/h - 50Hz	m³/h - 60Hz		
PTN075U	1	230/1/50	0,8	E	3,15	3,17	0,82	0,15

E = Ermetico • Hermetic

CONDENSATORE • CONDENSER

	Passo alette Fin pitch	Ventilatori Fans	Assorb. ventilatori Fan absorption	Portata aria Airflow
	mm	n°xØ mm	n°xW	m³/h
PTN075U	2,5	1x254	1x20	1100

EVAPORATORE • EVAPORATOR

	Passo alette Fin pitch	Ventilatori Fans	Assorb. ventilatori Fan absorption	Portata aria Airflow	Freccia aria Air-throw
	mm	n°xØ mm	n°xW	m³/h	m
PTN075U	4,2	1x230	1x15	600	5

Potenza frigorifera • Refrigerating capacity (W) - Volume cella • Room volume (m³)



Temperatura cella • Cold room temperature

+ 5 °C

0 °C

- 5 °C



Temperatura esterna • Ambient temperature

+ 32 °C

+ 43 °C

+ 32 °C

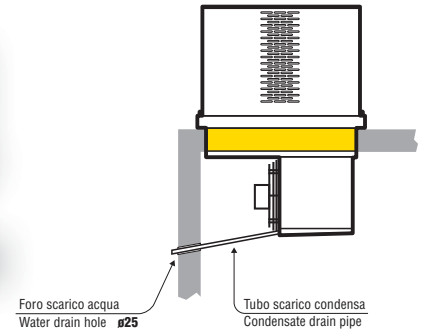
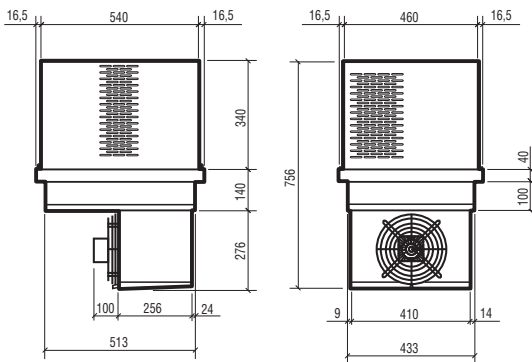
+ 43 °C

+ 32 °C

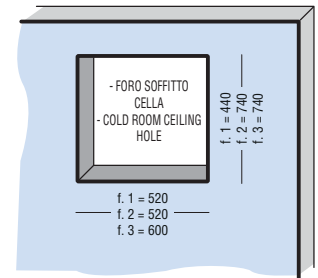
+ 43 °C

PTN075U	+ 32 °C		+ 43 °C		+ 32 °C		+ 43 °C		+ 32 °C		+ 43 °C	
	W	m³	W	m³	W	m³	W	m³	W	m³	W	m³
PTN075U	1432	13	1224	10	1230	9	1082	7	1068	6	923	5

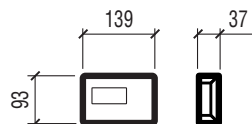
FORMA • FORM 1



MONTAGGIO
MOUNTING



Pannello Remoto
Remote Control Panel



MONITORAGGIO E CONTROLLO REMOTO
REMOTE MONITORING SYSTEM



Techno-B s.r.l.

via Cantelma, 11 • 42045 Codisotto di Luzzara (RE) • ITALY
Tel. +39-0522-978400 (4 r.a.) • Fax +39-0522-978362

info@technob.it • www.technob.it

Techno-B