

Tipo di sbrinamento **A gas caldo** • Defrost type **By hot gas**

DATI TECNICI UNITA' • TECHNICAL DATA UNIT

Forma Form	Tensione Voltage	Massimo assorb. elettrico in marcia Max. elec. absorp. in running condition kW	Tipo compressore Compressor type	Volume spostato Displacement		Assorbimento in sbrinamento Absorption during defrost kW	Quantità refrigerante Refrigerant quantity kg	
				m <sup>3</sup> /h - 50Hz	m <sup>3</sup> /h - 60Hz			
PTX030	1	230/1/50	0,68	E	1,54	1,58	0,75	0,68

E = Ermetico • Hermetic

CONDENSATORE • CONDENSER

EVAPORATORE • EVAPORATOR

Passo alette Fin pitch	Ventilatori Fans	Assorb. ventilatori Fan absorption	Portata aria Airflow	Passo alette Fin pitch	Ventilatori Fans	Assorb. ventilatori Fan absorption	Portata aria Airflow	Freccia aria Air-throw	
									mm
PTX030	3,2	1x254	1x73	1100	4,2/8,4	1x200	1x38	535	5

Potenza frigorifera • Refrigerating capacity (W) - Volume cella • Room volume (m<sup>3</sup>)



Temperatura cella • Cold room temperature

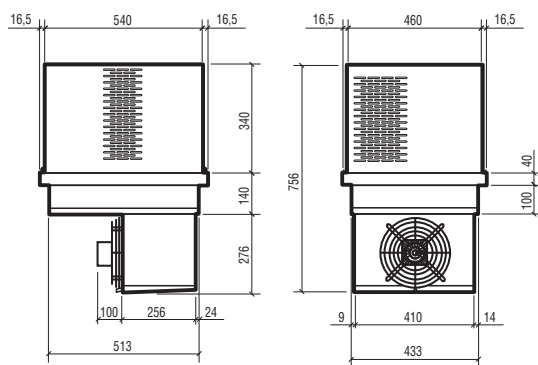
+ 5 °C	0 °C	- 5 °C
--------	------	--------



Temperatura esterna • Ambient temperature

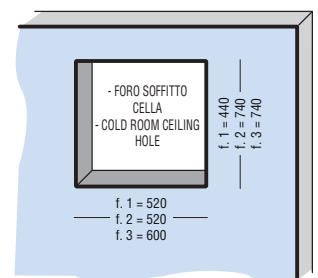
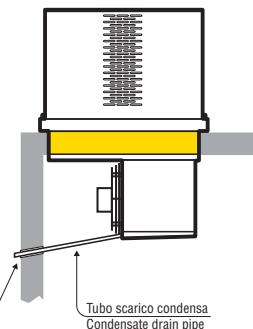
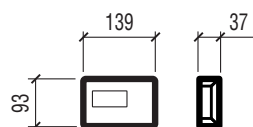
PTX030	+ 20 °C		+ 32 °C		+ 43 °C		+ 20 °C		+ 32 °C		+ 43 °C		+ 20 °C		+ 32 °C		+ 43 °C	
	W	m <sup>3</sup>	W	m <sup>3</sup>	W	m <sup>3</sup>	W	m <sup>3</sup>	W	m <sup>3</sup>	W	m <sup>3</sup>	W	m <sup>3</sup>	W	m <sup>3</sup>	W	m <sup>3</sup>
PTX030	1005	12,4	770	9,2	580	5	830	9,4	625	5,8	465	2,8	685	6,5	505	4	370	2,2

FORMA • FORM 1



MONTAGGIO  
MOUNTING

**Pannello Remoto**  
**Remote Control Panel**



**Techno-B s.r.l.**

via Cantelma, 11 • 42045 Codisotto di Luzzara (RE) • ITALY  
Tel. +39-0522-978400 (4 r.a.) • Fax +39-0522-978362

info@technob.it • www.technob.it